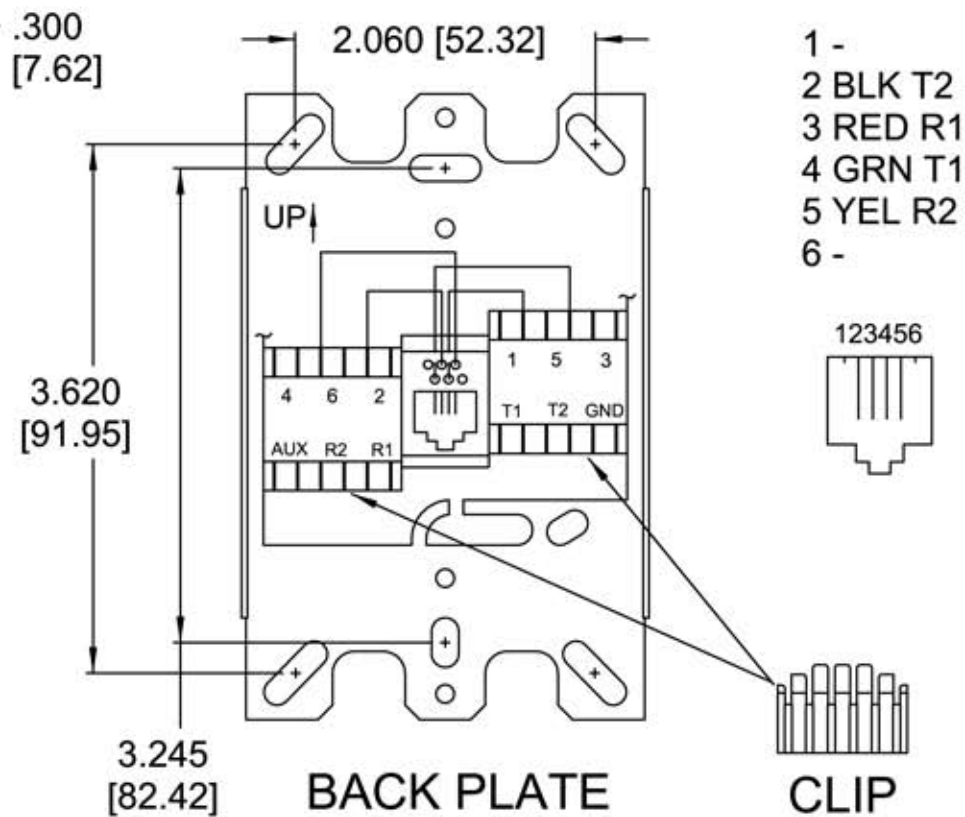
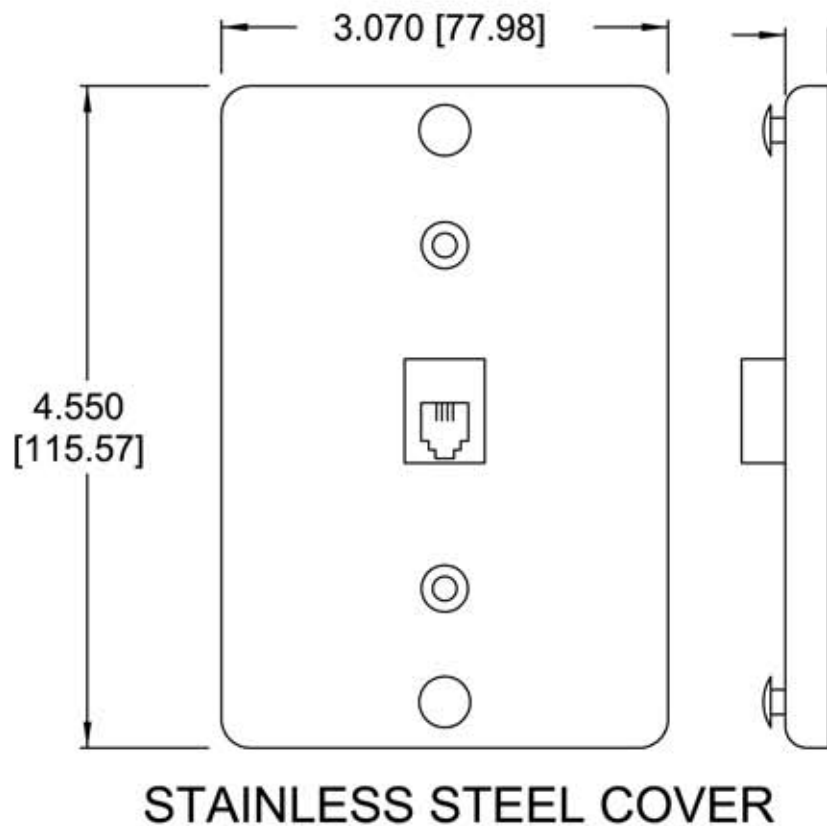


NOTES:

1. INCH [mm] DIM'S ARE REFERENCE
2. WIRE ACCESS SLOTS TOP & BOTTOM
3. OUTLET BOX MOUNTING SCREWS INCLUDED
4. QUICK CONNECT WIRE RETAINING CLIP SHOWN



Allen Tel Products, Inc.

30 TV5 DRIVE • HENDERSON, NV • 89014

**AT630B-4
WALL TELEPHONE JACK**