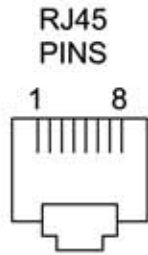
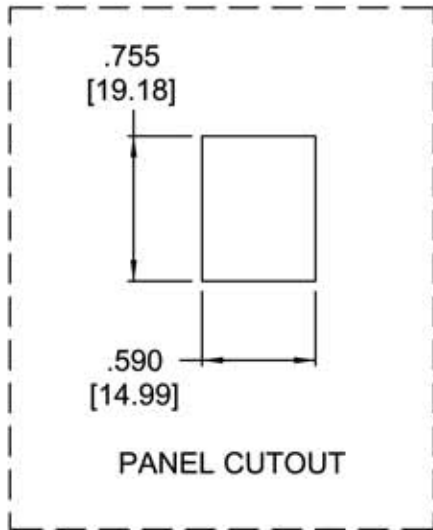
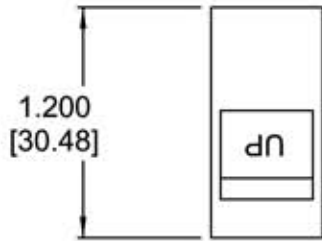
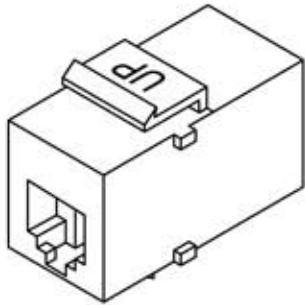
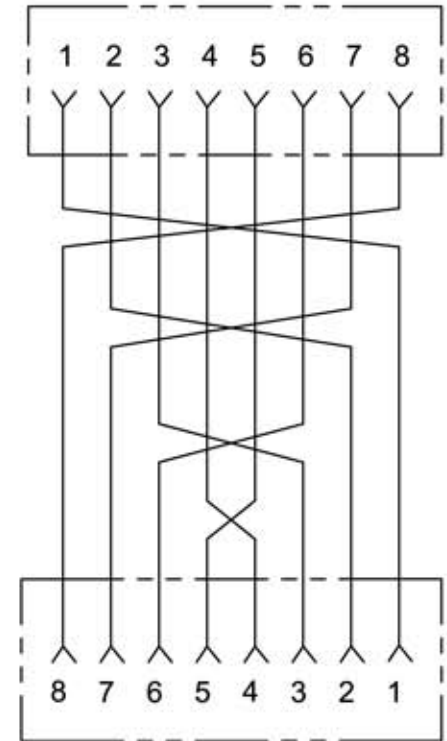
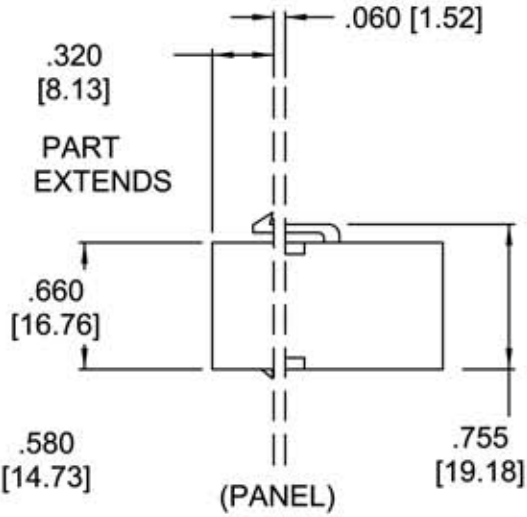


NOTES

- 1. FOR USE WITH ATP FRAMES  
ATPNL-XX.
- 2. COLOR: BLACK
- 3. INCH [mm] DIM'S (REF)



SUGGESTED MAX.  
PANEL THICKNESS



Allen Tel Products, Inc.  
30 TV5 DRIVE • HENDERSON, NV • 89014

AT55C-00 COUPLER, CAT 5e  
8C8P POINT-TO-POINT



E131692