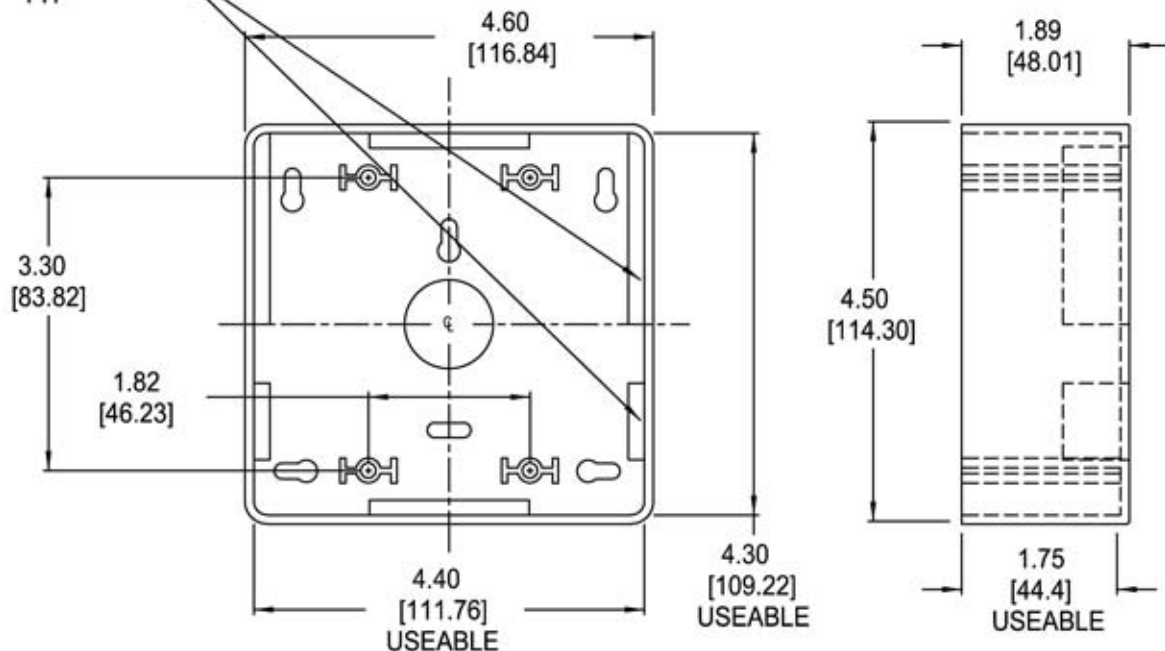


NOTE 4
TYP



NOTES:

1. MATERIAL - ABS UL94V-O.
2. [] = METRIC DIM'S
3. ALL DIM'S ARE REF.
4. SURFACE MOUNT BREAKAWAY AREAS ARE PROVIDED.



Allen Tel Products, Inc.

30 TV5 DRIVE • HENDERSON, NV • 89014



AT45MB-XX DOUBLE GANG
SURFACE MOUNTING BOX