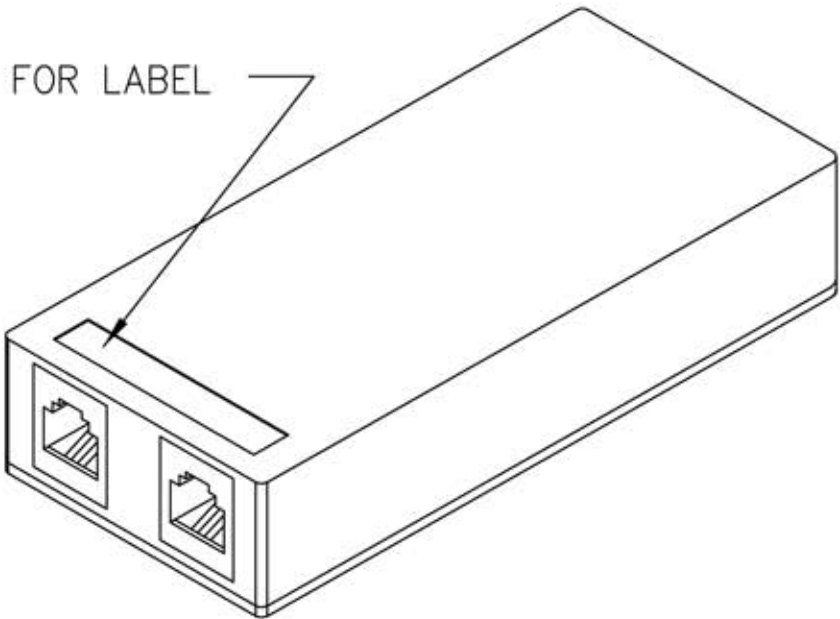
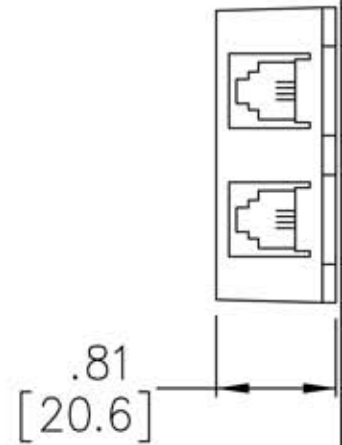
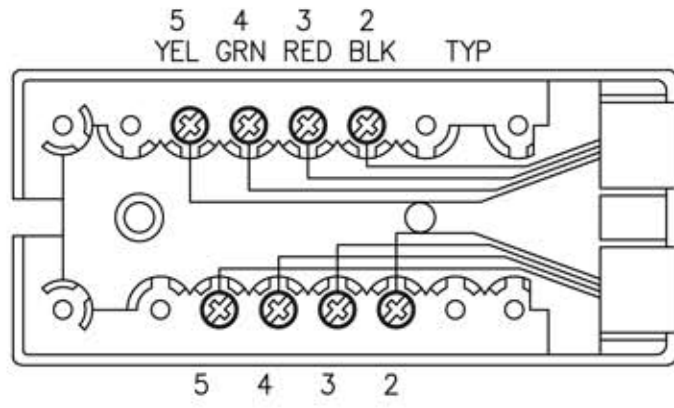
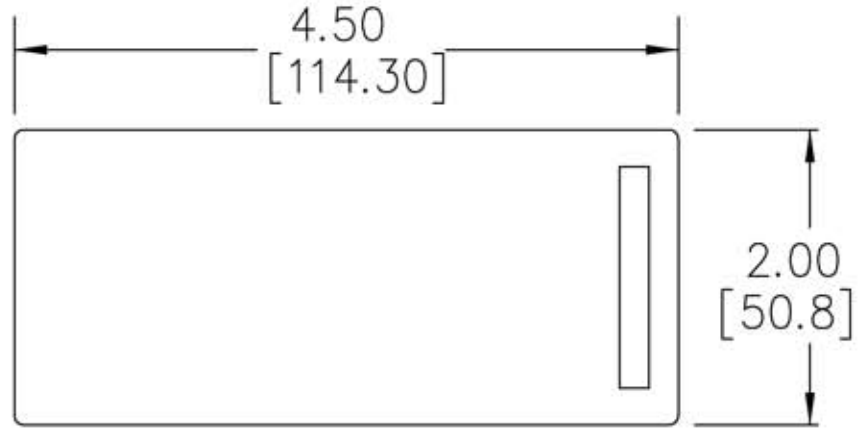


FOR LABEL



WITH 2, 4C6P RJ11 JACKS



DIMENSIONS ARE REFERENCE
[] = METRIC



ALLEN TEL PRODUCTS, INC.
30 TV5 DRIVE, HENDERSON, NEVADA 89014

AT444
MODULAR DUPLEX SURFACE JACK