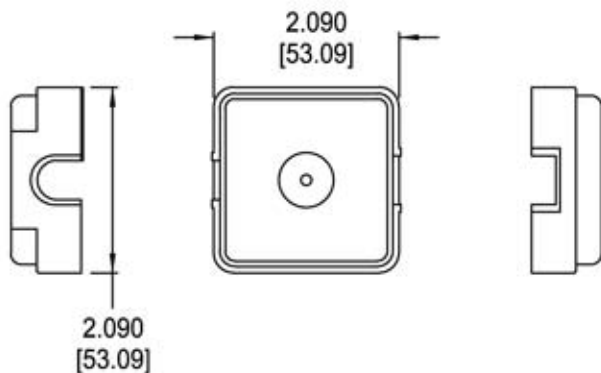
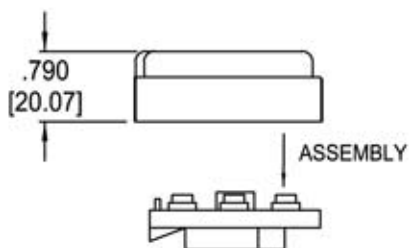
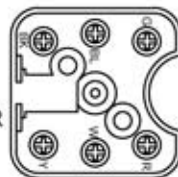


NOTES:

1. PLASTIC MATERIAL - ABS UL94V-O.
2. INCH [mm] DIMENSIONS (REFERENCE)



AT42A6  
6 POS  
CONNECTOR  
BLOCK



Allen Tel Products, Inc.

30 TV5 DRIVE • HENDERSON, NV • 89014

AT42A6  
SURFACE JACK