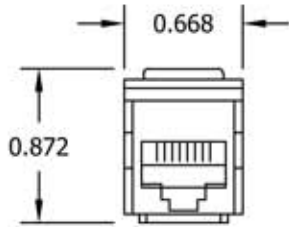
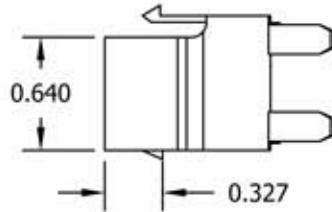


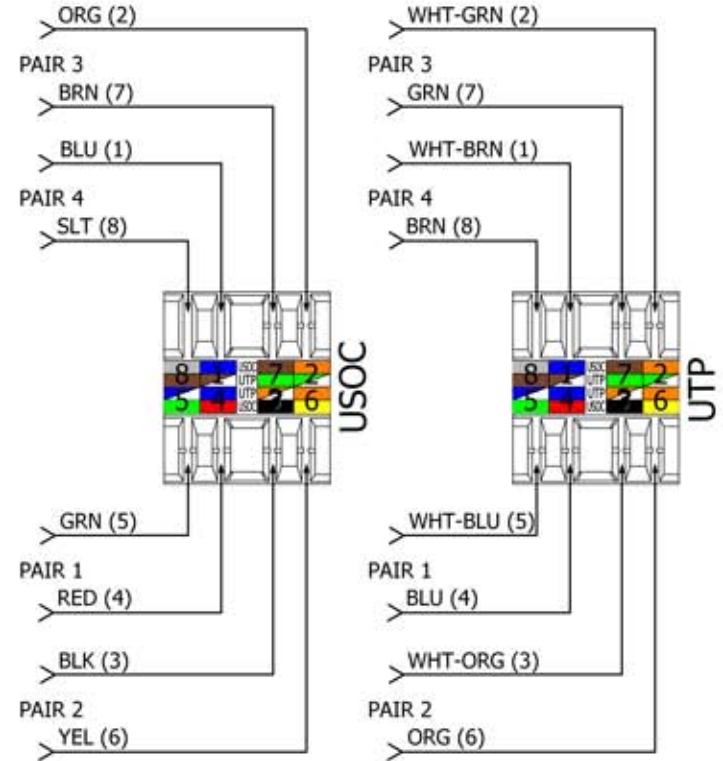
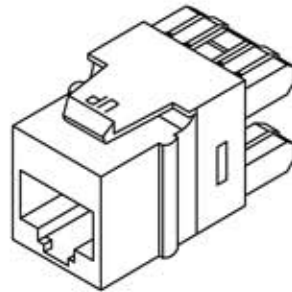
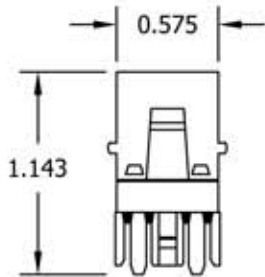
FRONT VIEW



SIDE VIEW



BOTTOM VIEW



- NOTES:**
1. HOUSING: ABS UL94V-0
 2. 110 TERMINATION
 3. DIMENSIONS ARE IN INCHES [mm]

XX=COLOR	
00-BLACK	15-WHITE
04-YELLOW	16-ORANGE
05-GREEN	20-BLUE
09-IVORY	47-RED
14-GREY	52-EL. IVORY




ALLEN TEL PRODUCTS, INC.
 30 TV5 DRIVE, HENDERSON, NEVADA 89014
AT38EZ-XX
CAT 3 E-Z JACK MODULE 8P8C