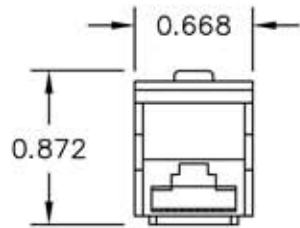
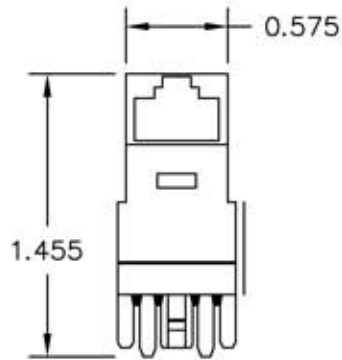
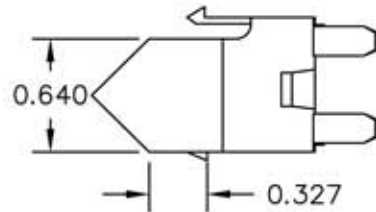


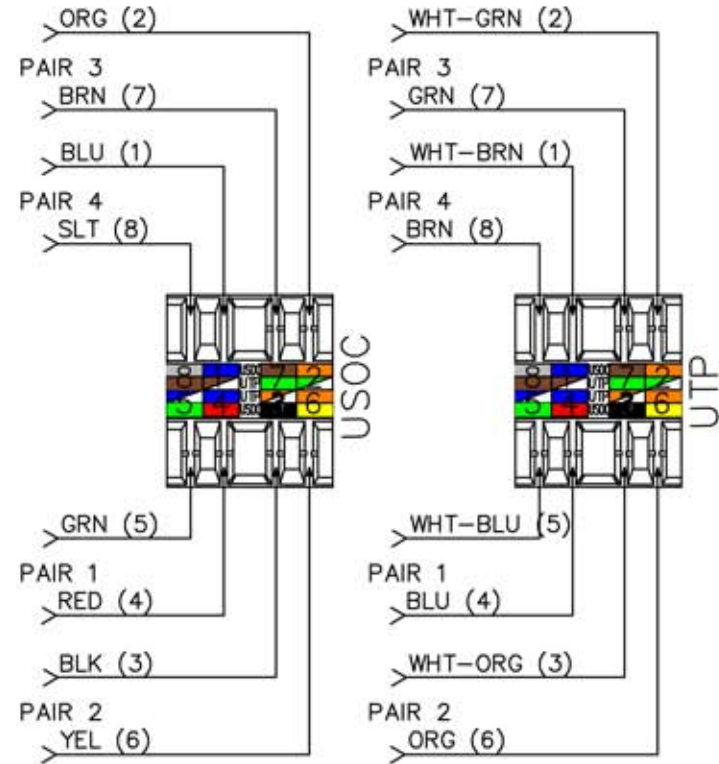
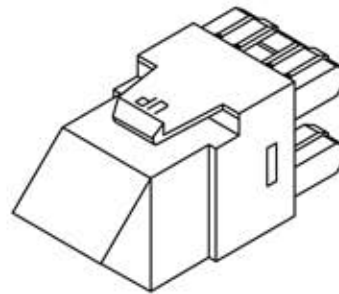
FRONT VIEW



SIDE VIEW



BOTTOM VIEW



NOTES:

1. HOUSING: ABS UL94V-0
2. 110 TERMINATION
3. COLORS: BLACK, GREEN, IVORY, GREY, YELLOW
WHITE, ORANGE, BLUE, RED, EL. IVORY



ALLEN TEL PRODUCTS, INC.
30 TV5 DRIVE, HENDERSON, NEVADA 89014

AT38EZ-AGL-XX
CAT 3 ANGLED E-Z JACK 8 POS., 8 COND.