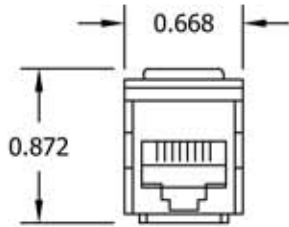
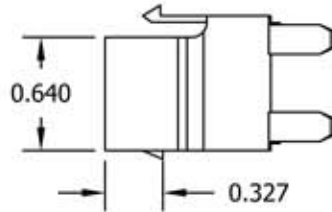


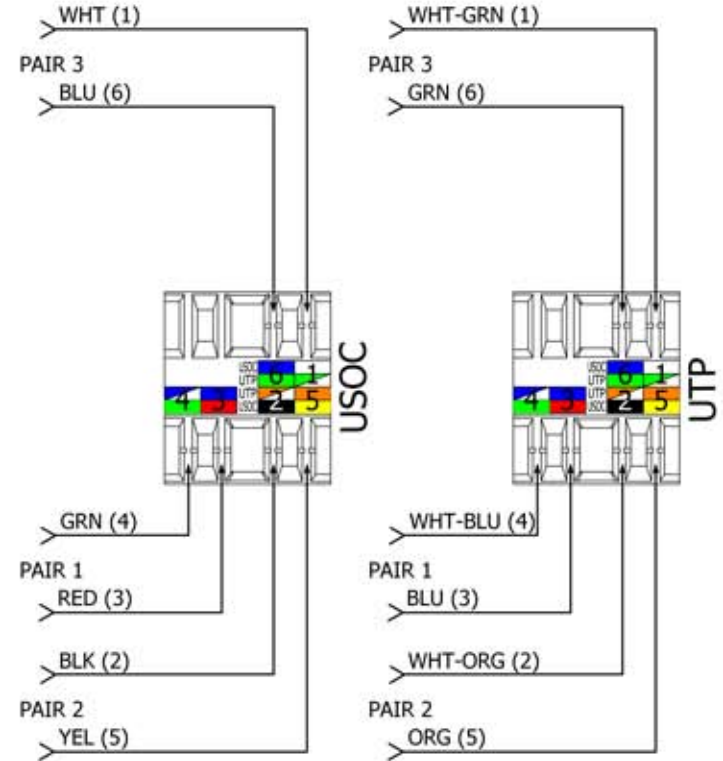
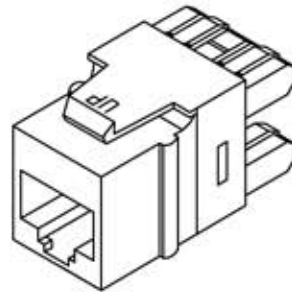
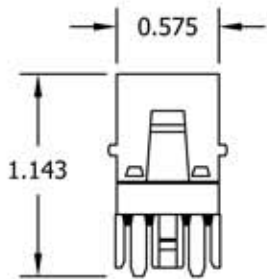
FRONT VIEW



SIDE VIEW



BOTTOM VIEW



NOTES:

1. HOUSING: ABS UL94V-0
2. 110 TERMINATION
3. DIMENSIONS ARE IN INCHES [mm]

XX=COLOR	
00-BLACK	15-WHITE
04-YELLOW	16-ORANGE
05-GREEN	20-BLUE
09-IVORY	47-RED
14-GREY	52-EL. IVORY



ALLEN TEL PRODUCTS, INC.  
30 TV5 DRIVE, HENDERSON, NEVADA 89014

AT36EZ-XX  
CAT 3 E-Z JACK MODULE 6P6C