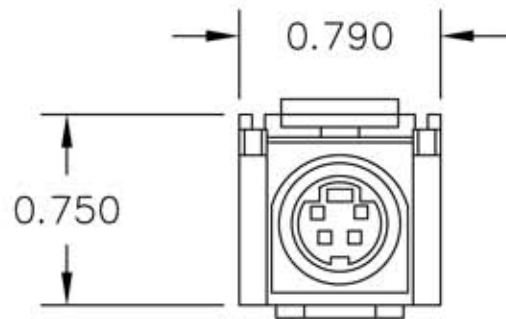
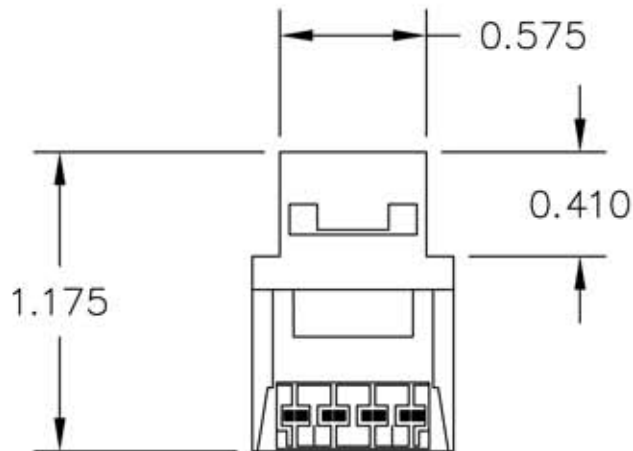
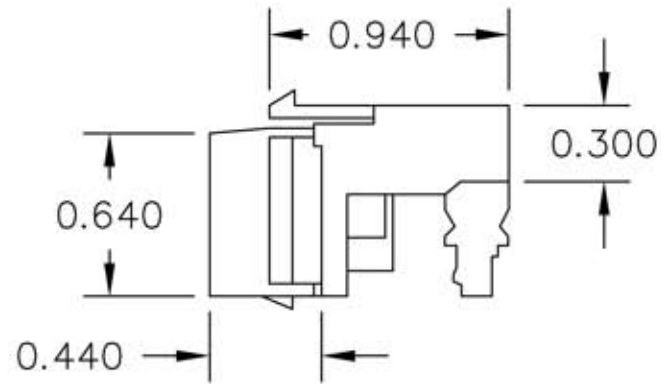


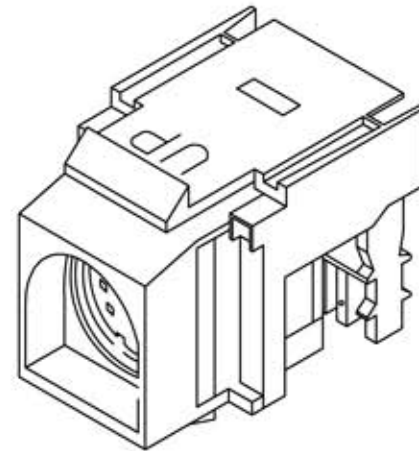
FRONT VIEW



SIDE VIEW



BOTTOM VIEW



NOTES:

1. HOUSING: ABS UL94V-0
2. COLORS: EL. IVORY, IVORY, WHITE
3. TERMINATES 23 THRU 24 AWG SOLID OR STRANDED WIRE



ALLEN TEL PRODUCTS, INC.
30 TV5 DRIVE, HENDERSON, NEVADA 89014

AT32VD-XX
S-VIDEO PUNCHDOWN MODULE