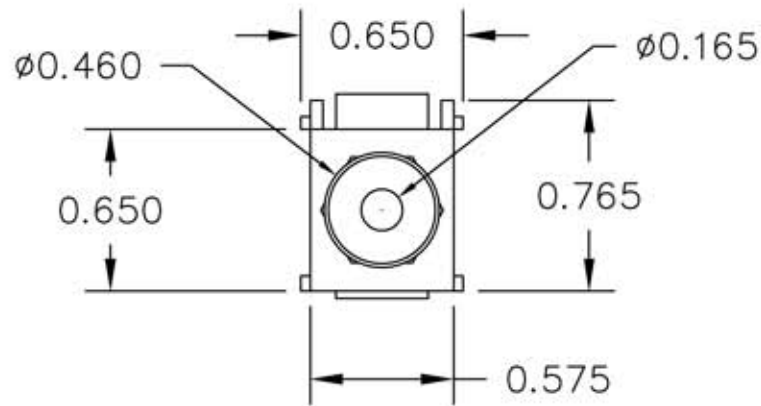
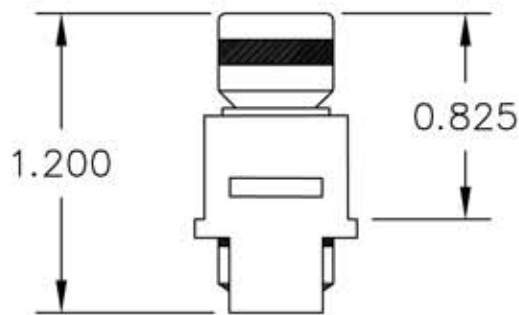
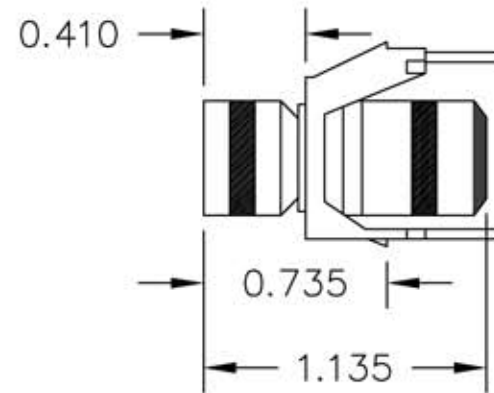


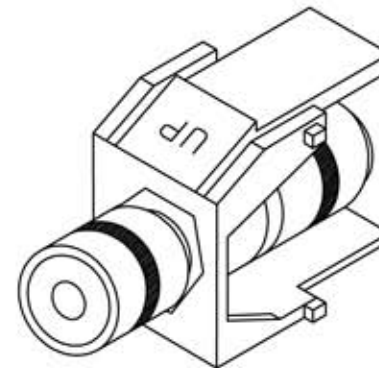
FRONT VIEW



SIDE VIEW



BOTTOM VIEW



**NOTES:**

1. HOUSING: ABS UL94V-0
2. COLORS: AT32RCA-R/B (IVORY)  
AT32RCA-R/B-XX (52-EL. IVORY, 15-WHITE)
3. RCA BINDING POST: RED AND BLACK
4. SOLD IN PAIRS: ONE RED AND ONE BLACK



ALLEN TEL PRODUCTS, INC.  
30 TV5 DRIVE, HENDERSON, NEVADA 89014

**AT32RCA-R/B / AT32RCA-R/B-XX  
RCA CONNECTOR**