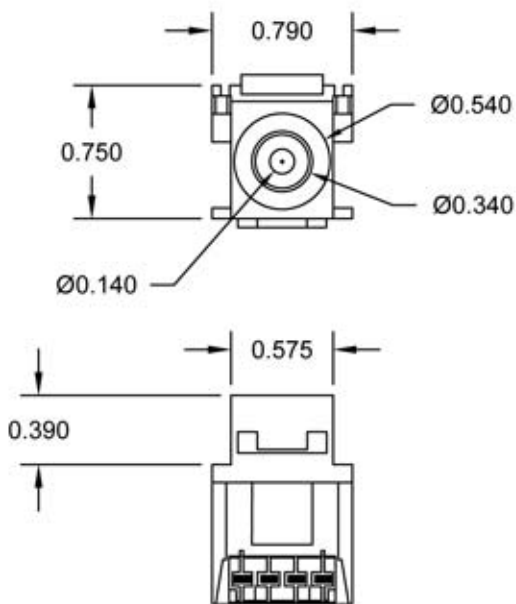
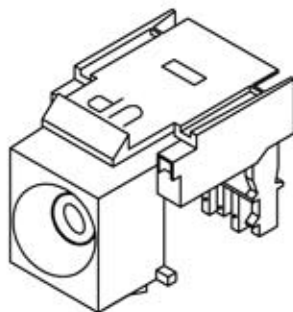
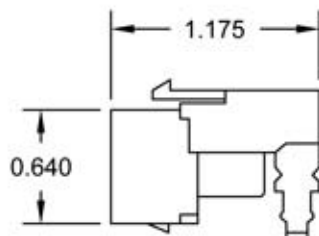


FRONT VIEW



BOTTOM VIEW

SIDE VIEW

NOTES:

1. HOUSING: ABS UL94V-0
2. COLORS: EL. IVORY, IVORY, WHITE
3. 110 TERMINATION



**Allen Tel Products, Inc.**

30 TV5 DRIVE • HENDERSON, NV • 89014

**AT32RCA-110-XX**

**VERSATAP RCA 110 PUNCHDOWN MODULE**

