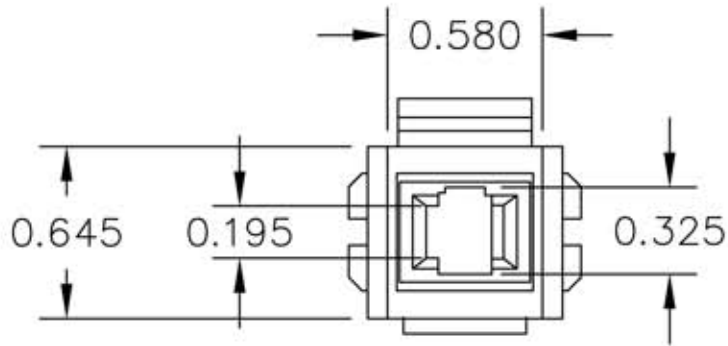
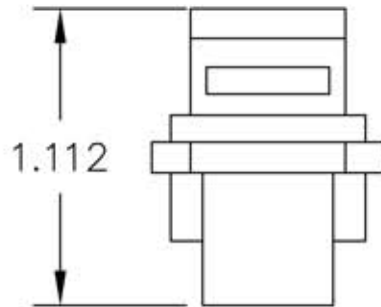
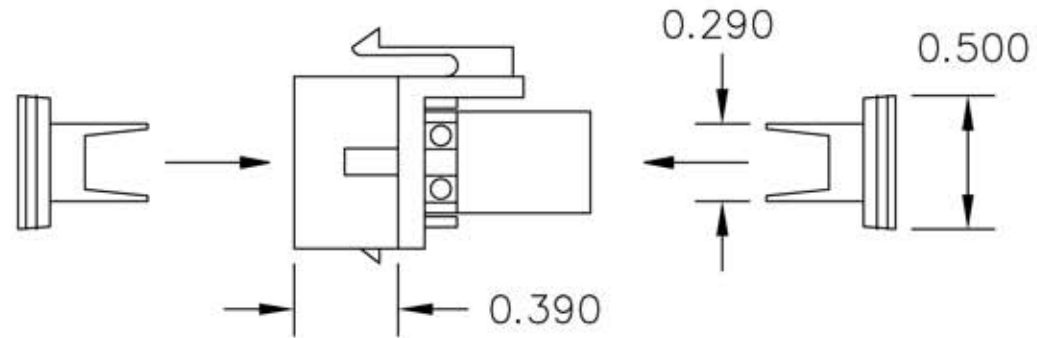


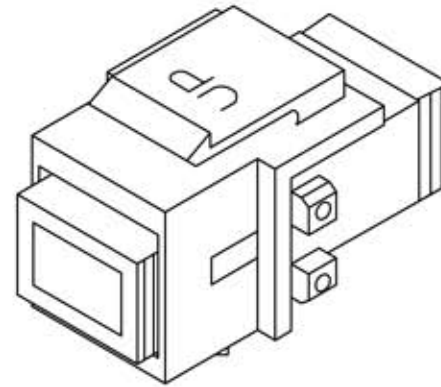
FRONT VIEW



SIDE VIEW



BOTTOM VIEW



NOTES:

1. HOUSING: ABS UL94V-0
2. COLORS: EL. IVORY, IVORY, WHITE
3. CAN BE USED WITH MULTIMODE OR SINGLE MODE JUMPERS



ALLEN TEL PRODUCTS, INC.  
30 TV5 DRIVE, HENDERSON, NEVADA 89014

**AT32MTRJ-XX**  
**MTRJ FIBER ADAPTER**