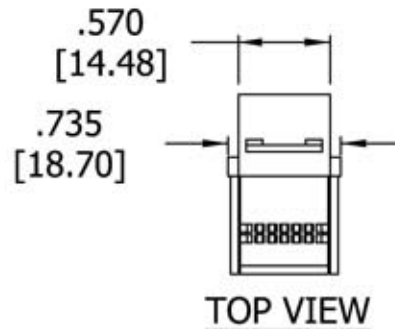
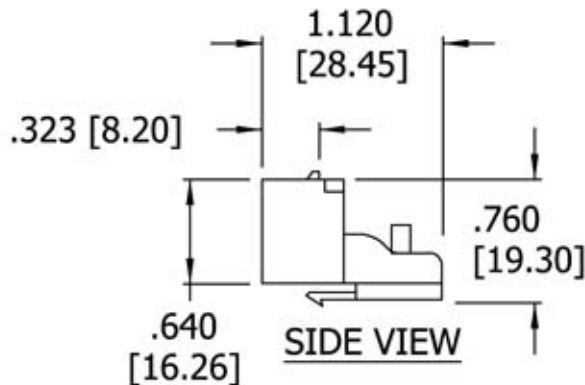




WIRE POSITIONS



AT26-XX

XX = COLOR

00 - BLACK	15 - WHITE
04 - YELLOW	16 - ORANGE
05 - GREEN	20 - BLUE
09 - IVORY	47 - RED
14 - GREY	

NOTES:

1. ACCEPTS IDC-23/26 AWG INSULATED WIRE
2. CONTACTS ARE PHOSPHOR BRONZE PLATED WITH 50 MICRO-INCHES OF GOLD OVER 100 MICRO-INCHES OF NICKEL
3. HOUSING: HIGH IMPACT, SELF EXTINGUISHING PLASTIC
4. DIMENSIONS ARE IN INCHES [mm]



Allen Tel Products, Inc.

30 TV5 DRIVE • HENDERSON, NV • 89014

AT26-XX
CATEGORY 3 COMPACT JACK



E131692