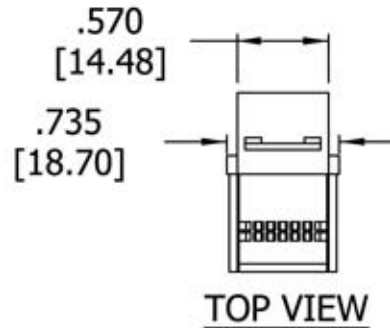
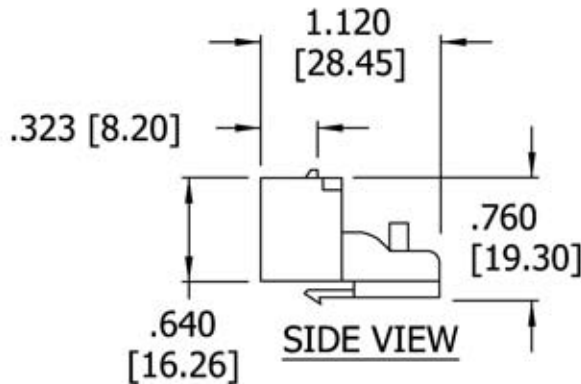




WIRE POSITIONS



AT24-XX

XX = COLOR

00 - BLACK	16 - ORANGE
09 - IVORY	20 - BLUE
14 - GREY	47 - RED
15 - WHITE	

NOTES:

1. ACCEPTS IDC-23/26 AWG INSULATED WIRE
2. CONTACTS ARE PHOSPHOR BRONZE PLATED WITH 50 MICRO-INCHES OF GOLD OVER 100 MICRO-INCHES OF NICKEL
3. HOUSING: HIGH IMPACT, SELF EXTINGUISHING PLASTIC
4. DIMENSIONS ARE IN INCHES [mm]



**Allen Tel Products, Inc.**

30 TV5 DRIVE • HENDERSON, NV • 89014

**AT24-XX**  
**CATEGORY 3 COMPACT JACK**



E131692