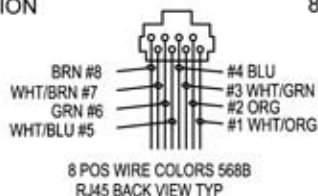
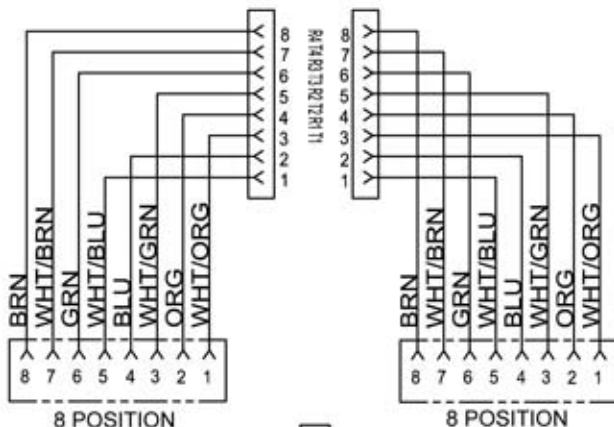
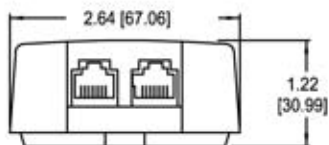
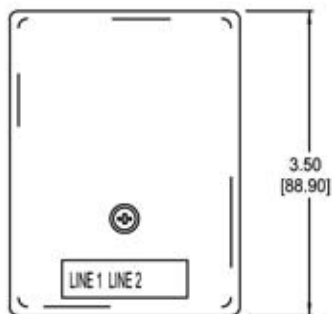


**NOTE:**

1. CATEGORY 4, 568B (BELL) WIRING
2. 50 MICRO INCH OF GOLD ON CONTACTS.
3. UL & CSA LISTED.
4. SCREWS INCLUDED FOR MOUNTING
5. INCH [mm] DIM'S (REFERENCE ONLY)



**Allen Tel Products, Inc.**

30 TV5 DRIVE • HENDERSON, NV • 89014

**AT104A8-XX**

**MODULAR DUPLEX SURFACE JACKS**

