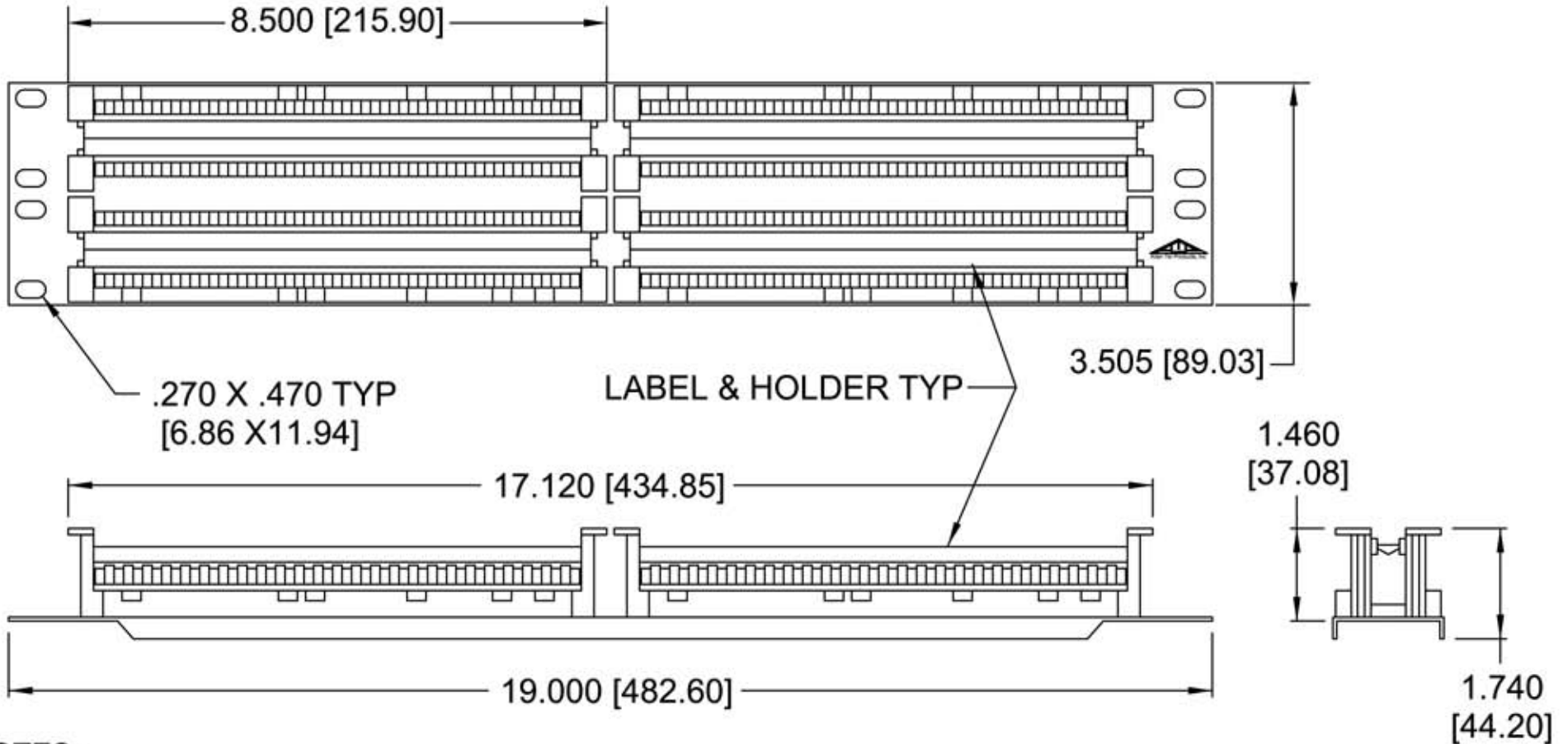




LABEL & HOLDER DETAIL



NOTES:

1. MATERIAL 94VO
2. LABELING INCLUDED
3. BLOCK ONLY -
GB110 CONNECTORS
ARE ORDERED SEPARATELY
4. DIMENSIONS ARE IN INCHES [mm]



Allen Tel Products, Inc.
30 TV5 DRIVE • HENDERSON, NV • 89014

**GB110P-200 19 IN PANEL
(200 PAIRS)**

