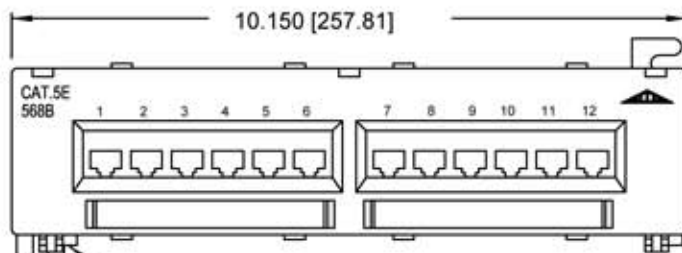
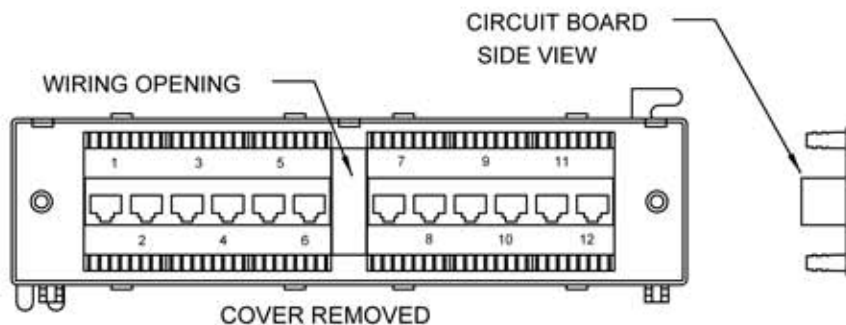
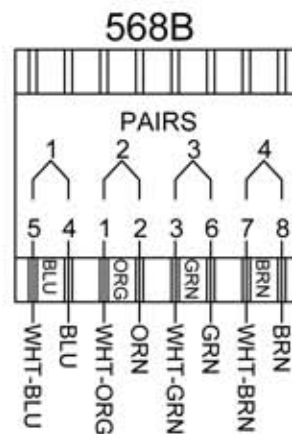
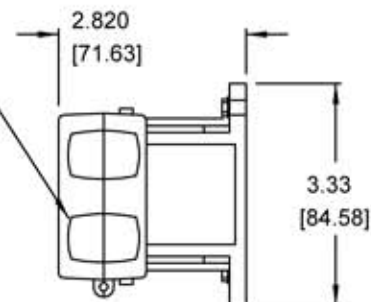


GB89D BRACKET  
REMOVEABLE

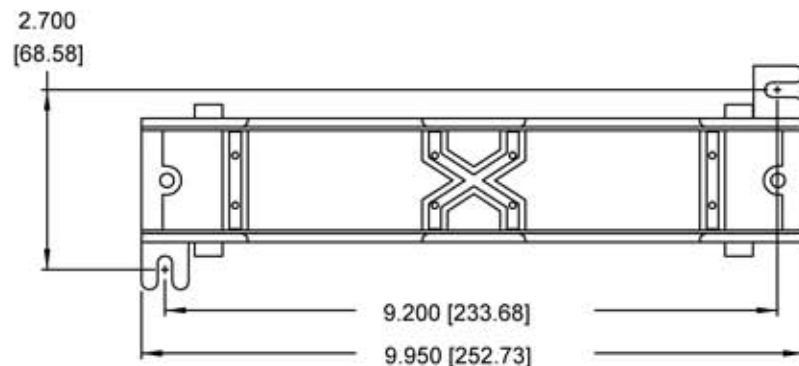


HINGES

KNOCKOUTS TYP



CIRCUIT BOARD  
SIDE VIEW



**NOTES:**

1. GB89D BRACKET SUPPLIED & IS REMOVABLE & REVERSIBLE.
2. E/W ID LABELS, TIES & 2 WOOD SCREWS
3. E/W WIRING OPENING ON BOTTOM & KNOCKOUTS..
4. INCH [mm] DIMENSIONS ARE REF.



**Allen Tel Products, Inc.**  
30 TV5 DRIVE • HENDERSON, NV • 89014

**AT55B-12P PATCH PANEL  
CAT 5e**