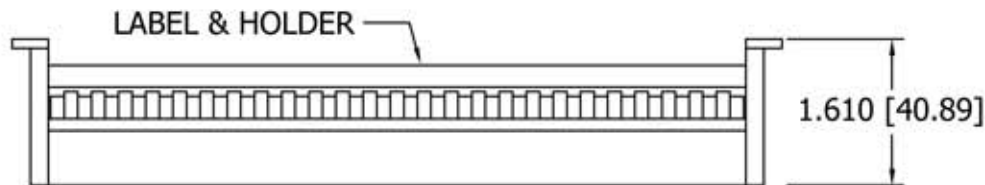
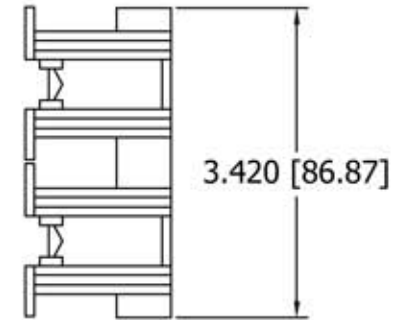
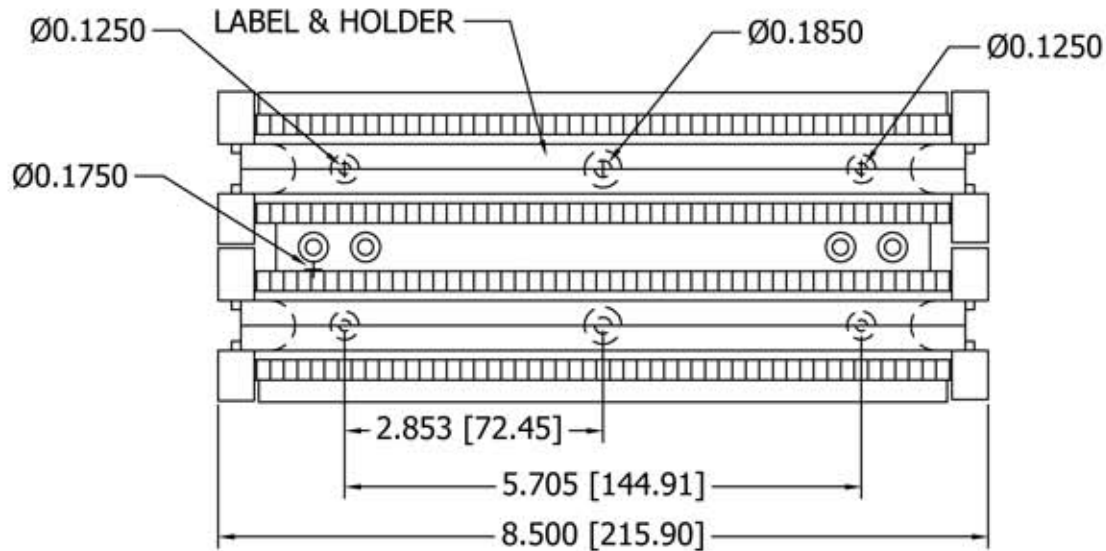


LABEL & HOLDER DETAIL



NOTES

1. MATERIAL 94VO.
2. LABELING INCLUDED.
3. BLOCK ONLY - GB110 CONNECTORS ARE ORDERED SEPARATELY.
4. INCH [mm] DIM'S ARE REF.



**ALLEN TEL PRODUCTS, INC.**

30 TV5 DRIVE • HENDERSON, NV • 89014

**GB110BA6-96**  
**96 PAIR BLOCK W/O LEGS**