

**MATERIAL:**

PLASTIC BODY POLYCARBONATE (PC)  
FLAME RATING - 94VO

**CONTACT BLADE:**

HIGH STRENGTH COPPER ALLOY

**PLATING:**

FIFTY MICRO INCHES OF GOLD SELECTIVELY  
PLATED OVER 100 MICRO INCHES OF NICKEL.

**ELECTRICAL:**

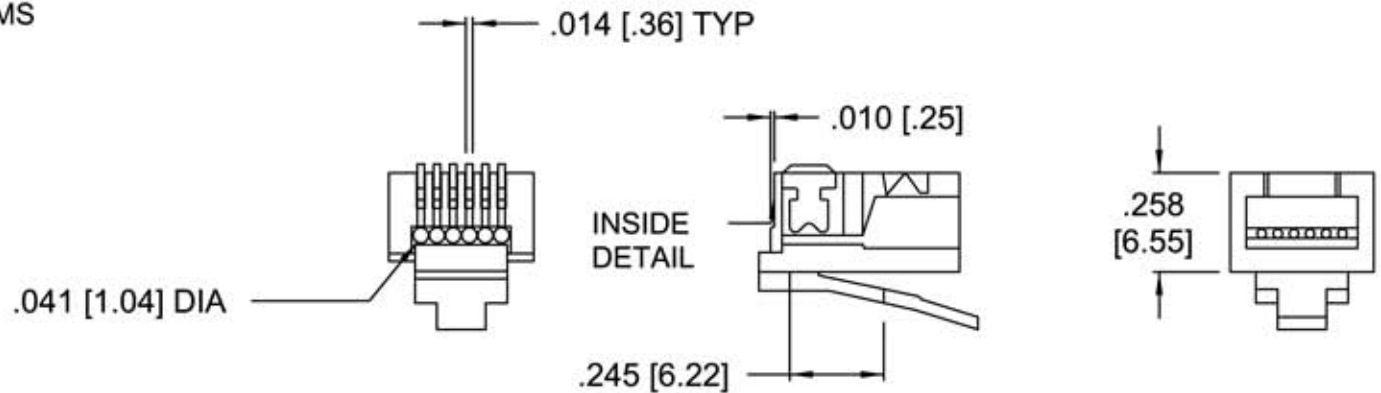
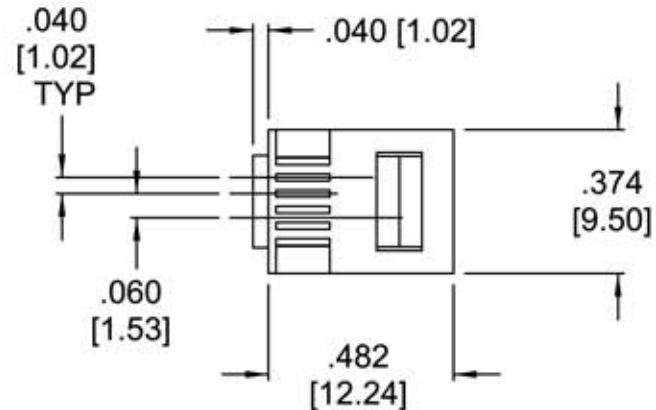
DIELECTRIC WITHSTANDING VOLTAGE 500 VAC  
INSULATION RESISTANCE 500 MEGOHMS  
TERMINAL RESISTANCE 35 MILLIOHMS  
TERMINAL RATING 250 VAC MAX AT 2 AMPS

**MECHANICAL:**

MINIMUM CONTACT FORCE - 100 GRAMS  
INSERTION FORCE LESS THAN 5 LBS.  
PULL OFF FORCE - 10 LBS. MIN.  
DURABILITY - 200 MATING CYCLES  
CORD PULL OFF FORCE - 15 LBS. MIN

**FOR WIRE TYPE:**

SOLID 22 TO 24 GAUGE  
FLAT WIRE



**Allen Tel Products, Inc.**

30 TV5 DRIVE • HENDERSON, NV • 89014

**AT6X6SC-2224  
MODULAR PLUG 6C6P**

