

**MATERIAL:**  
PLASTIC BODY POLYCARBONATE (PC)  
FLAME RATING - 94VO  
**CERTIFICATION:**  
CSA # LR84410-5M  
UL # E121930

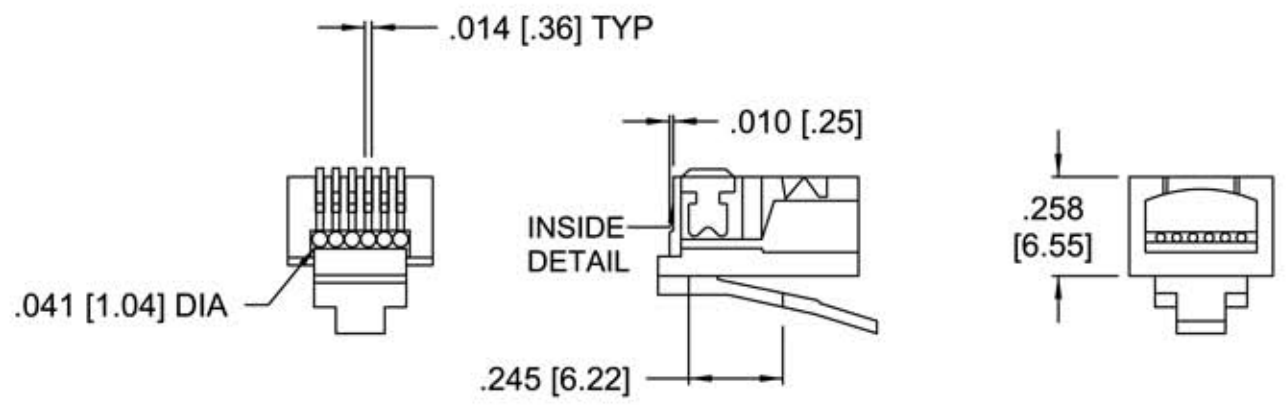
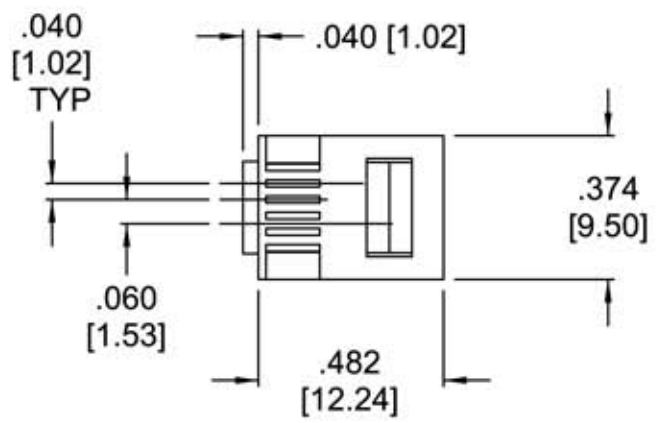
**CONTACT BLADE:**  
HIGH STRENGTH COPPER ALLOY

**PLATING:**  
FIFTY MICRO INCHES OF GOLD SELECTIVELY  
PLATED OVER 100 MICRO INCHES OF NICKEL.

**ELECTRICAL:**  
DIELECTRIC WITHSTANDING VOLTAGE 500 VAC  
INSULATION RESISTANCE 500 MEGOHMS  
TERMINAL RESISTANCE 35 MILLIOHMS  
TERMINAL RATING 250 VAC MAX AT 2 AMPS

**MECHANICAL:**  
MINIMUM CONTACT FORCE - 100 GRAMS  
INSERTION FORCE LESS THAN 5 LBS.  
PULL OFF FORCE - 10 LBS. MIN.  
DURABILITY - 200 MATING CYCLES  
CORD PULL OFF FORCE - 18 LBS. MIN

**WIRE TYPE:**  
SOLID 22/24 GAGE  
ROUND CORD



**AT6X6RCSC-2224 6C6P MODULAR PLUG  
FOR 22-24 GAGE SOLID WIRE**