

10 BASE T CROSSOVER

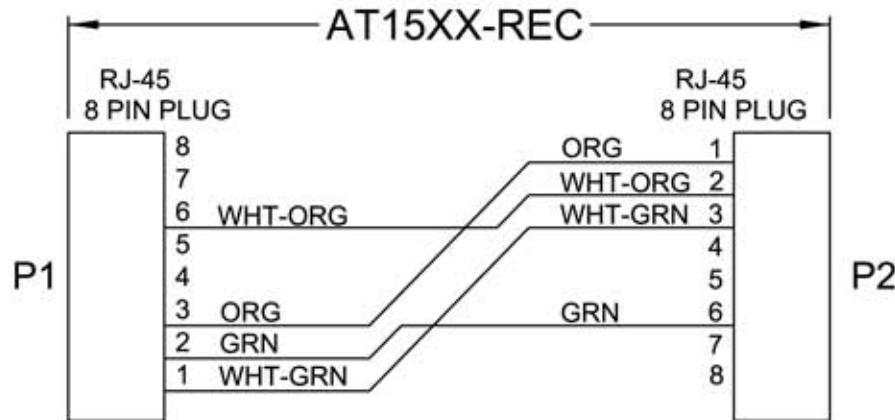
LENGTH CHART	
XX = FEET	
	03
	05
	07
	10
	14
	18
	25

TYPICAL WIRING

8 UNUSED
7 UNUSED

PAIR 2
RX- 6 RX-
5 UNUSED
4 UNUSED

RX+ 3 RX+
TX- 2 TX-
TX+ 1 TX+



WIRE TABLE

P1	COLOR	P2
1	- PAIR 1 - WHT-GRN	3
2	GRN	6
3	- PAIR 2 - ORG	1
6	WHT-ORG	2



ALLEN TEL PRODUCTS, INC.
30 TV5 DRIVE • HENDERSON, NV • 89014

10 BASE T ETHERNET
CROSSOVER CABLE