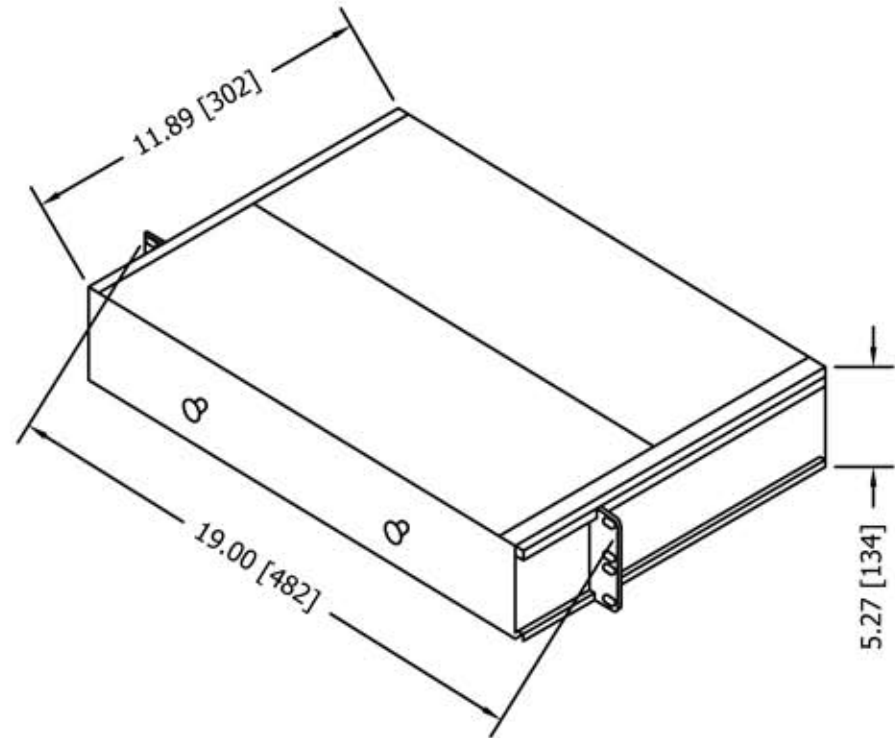
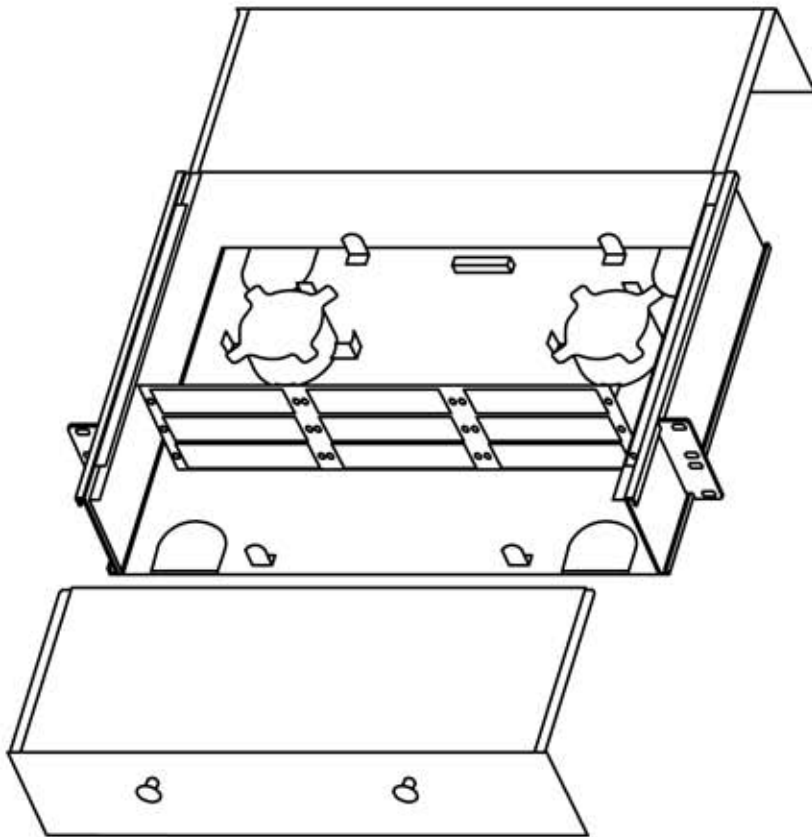


NOTES:

1. RACK MOUNTS IN A 3RU SPACE
2. INCLUDES ALL HARDWARE AND CABLE MANAGEMENT
3. WILL ACCEPT 9 ADAPTER PANELS, 6 OR 8 PORT
4. 16 GAUGE STEEL CONSTRUCTION
5. DIMENSIONS IN INCHES [mm]



ALLEN TEL PRODUCTS, INC.

30 TV5 DRIVE • HENDERSON, NV • 89014

GB372
FIBER OPTIC RACK ENCLOSURE