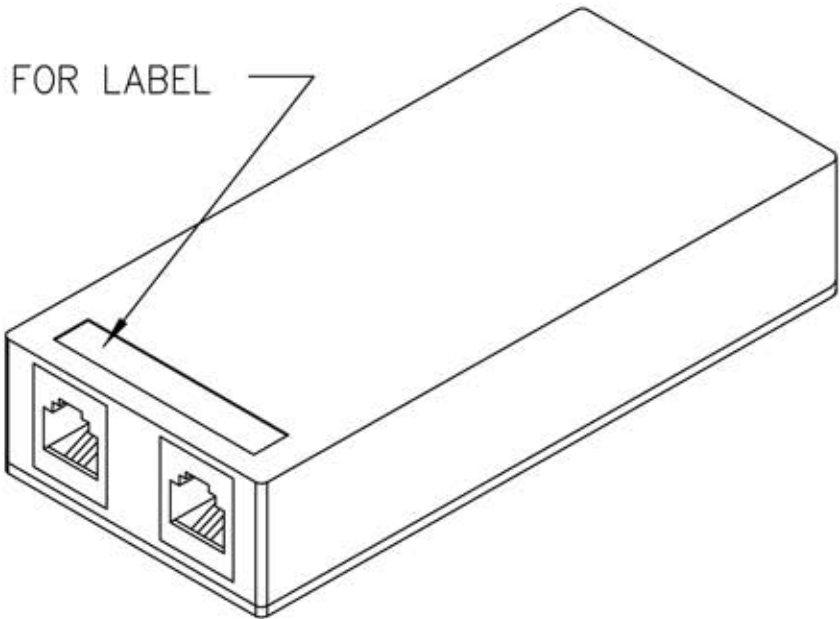
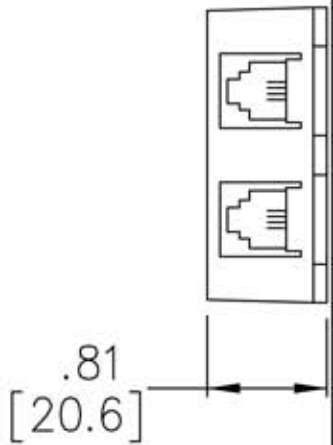
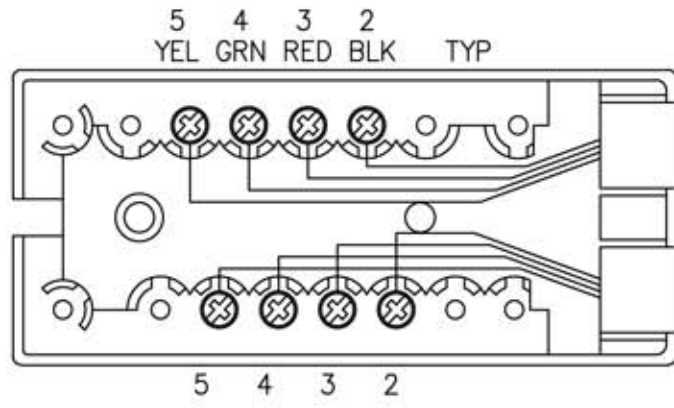
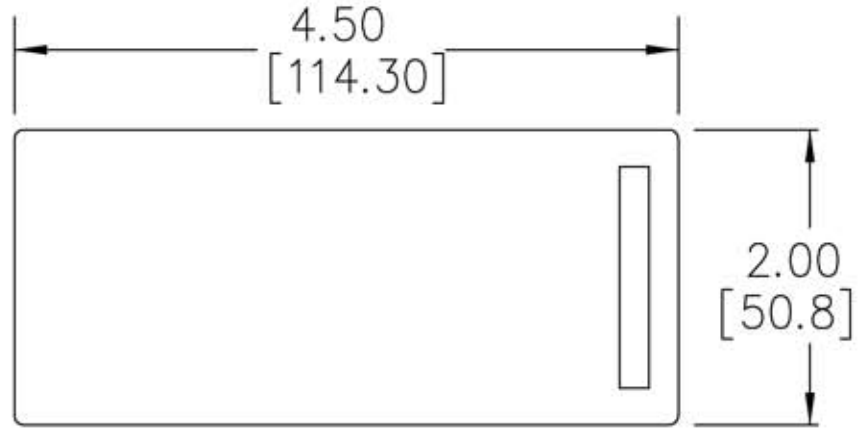


FOR LABEL



WITH 2, 4C6P RJ11 JACKS



DIMENSIONS ARE REFERENCE  
[ ] = METRIC



ALLEN TEL PRODUCTS, INC.  
30 TV5 DRIVE, HENDERSON, NEVADA 89014

**AT444**  
**MODULAR DUPLEX SURFACE JACK**