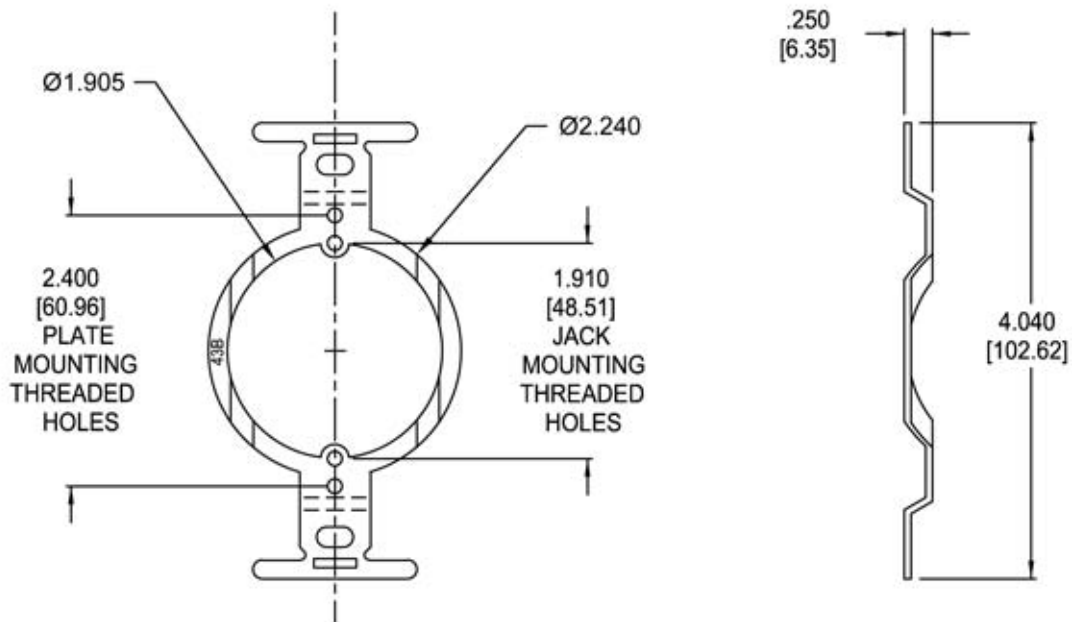


**NOTES::**

1. USED WITH AT625F-4 OR AT625F-6
2. INCH [mm] DIM'S ARE REFERENCE



**Allen Tel Products, Inc.**  
30 TV5 DRIVE • HENDERSON, NV • 89014



**AT43B**  
**MOUNTING BRACKET**