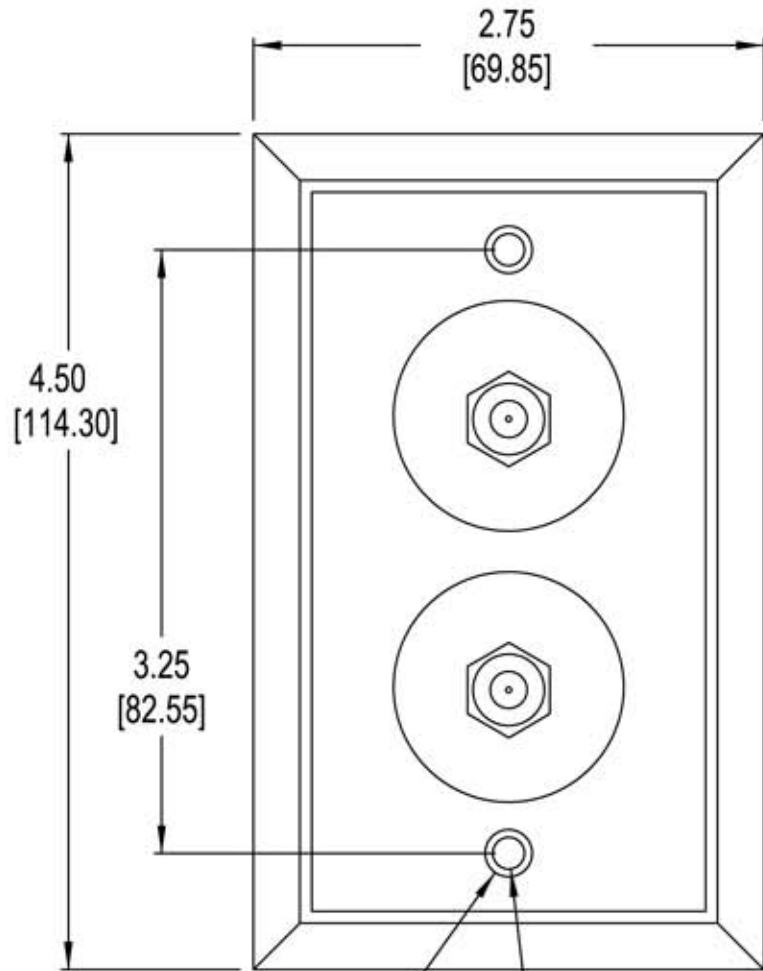


NOTES:

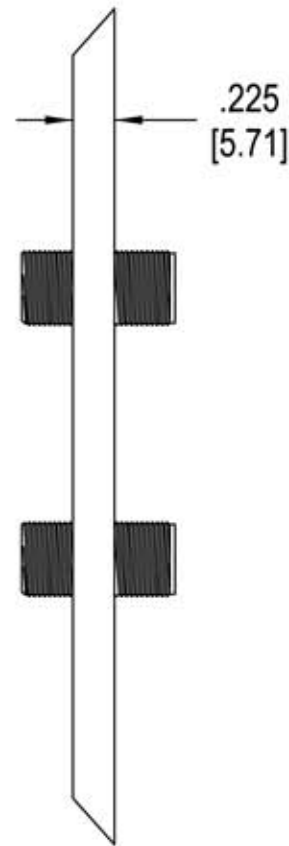
[] = MM DIMENSIONS

TWO 6-32 OVAL HEAD SCREWS INCLUDED



CHAMFER
Ø .255 [6.48]
2 PL

.170 [4.32] DIA
THRU 2 PL



Allen Tel Products, Inc.

30 TV5 DRIVE • HENDERSON, NV • 89014

**AT1029-FF
DUPLEX TV WALL JACK**

