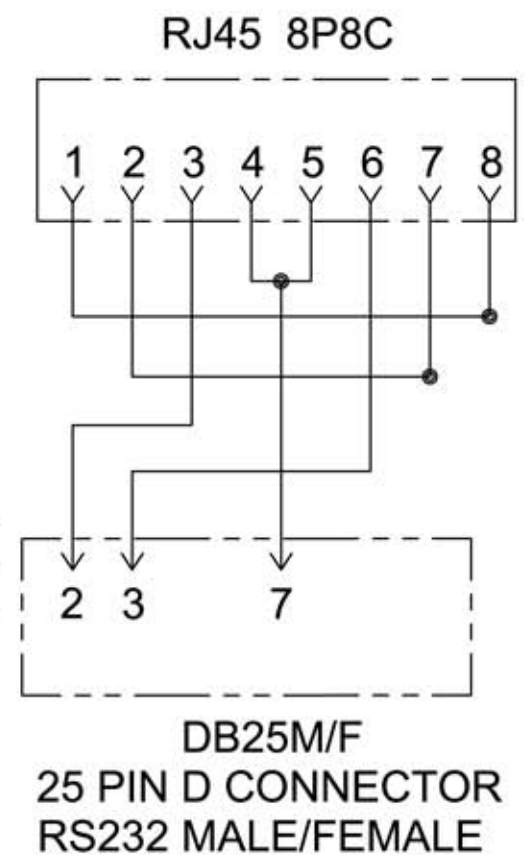
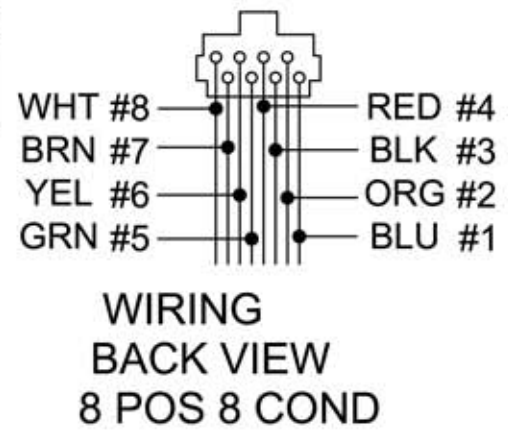
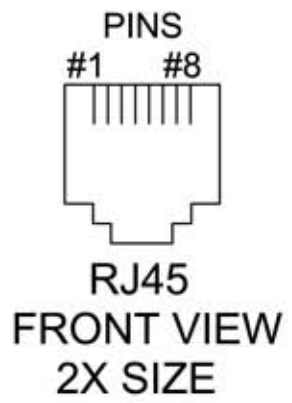
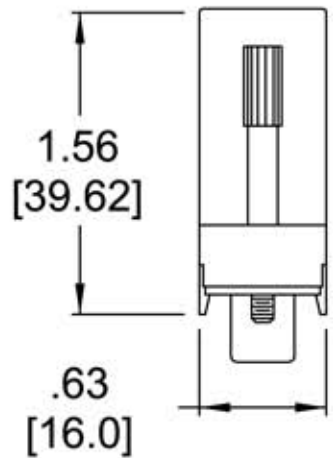
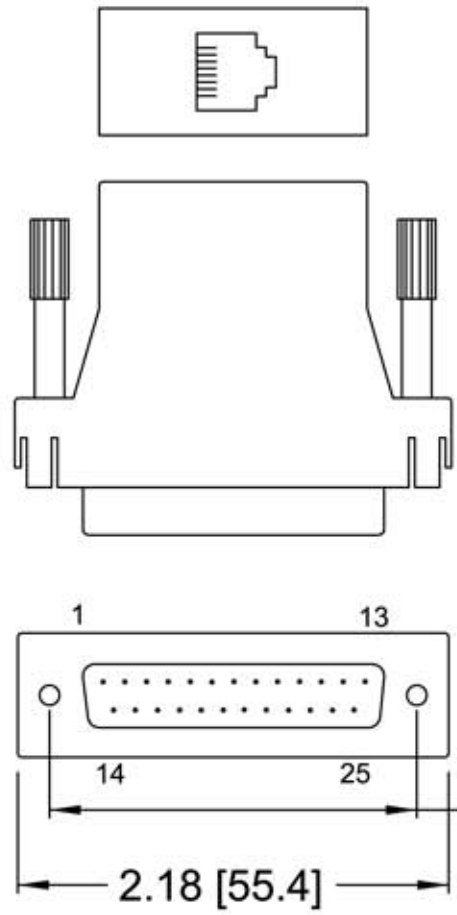


NOTES:

1. MODULAR JACK CONTACTS 30 MICROINCHES OF GOLD
2. DB25 CONTACTS 3 MICROINCHES OF GOLD
3. PLASTIC MATERIAL - ABS UL94V-O
4. INCH [mm] DIM'S (REF)



Allen Tel Products, Inc.
30 TV5 DRIVE • HENDERSON, NV • 89014

**ATRA8M/F-35222
SPECIAL ADAPTER**