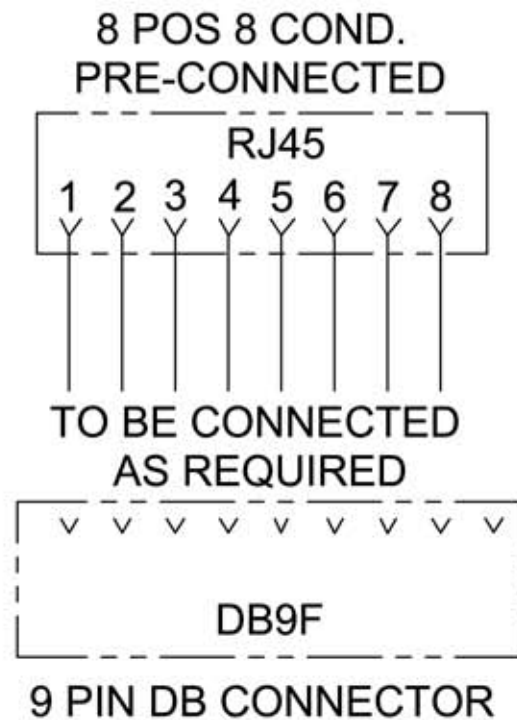
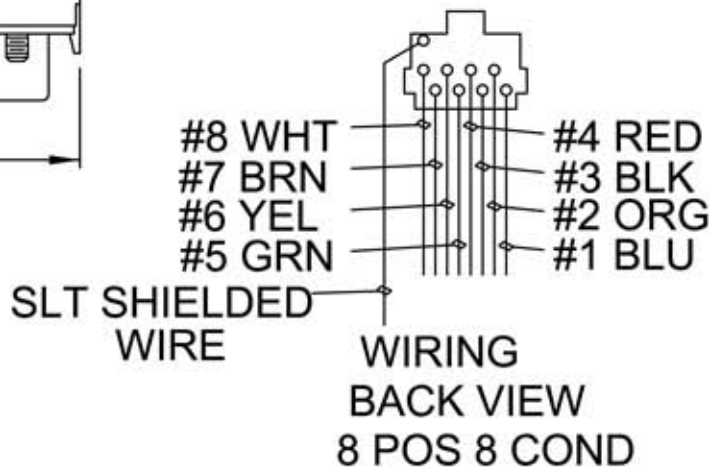
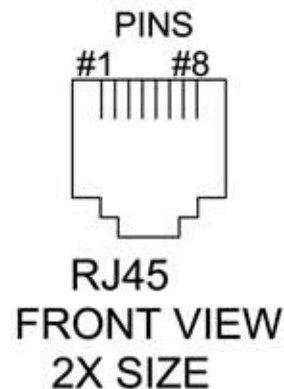
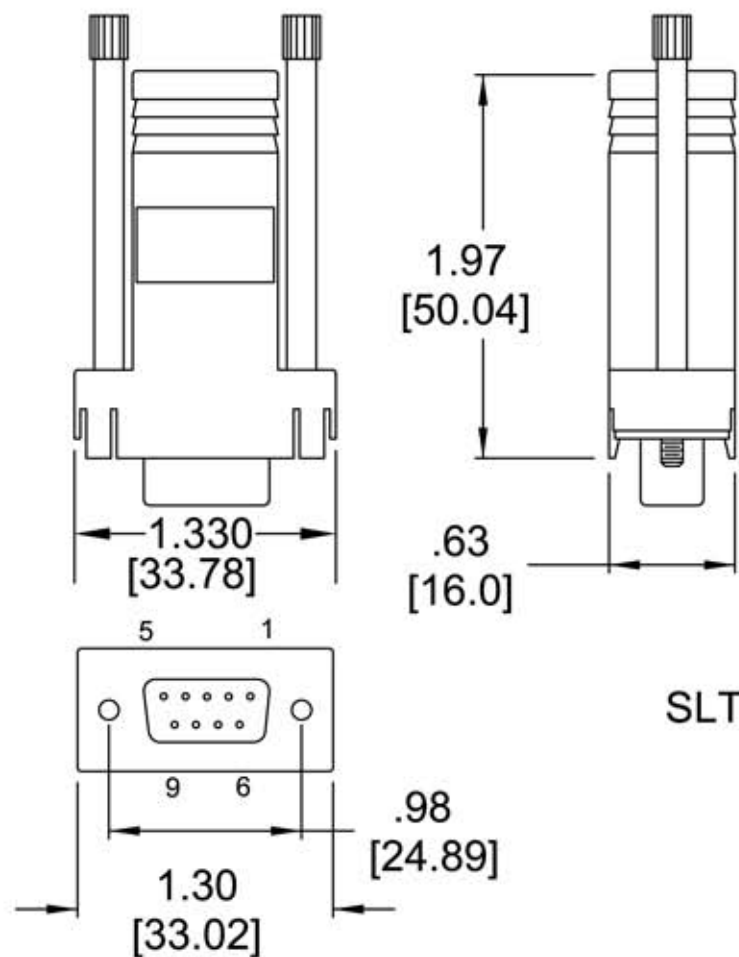


NOTES:

1. [] = mm DIM'S
2. DB9 CONTACTS 30 MICROINCH GOLD
3. MODULAR CONTACTS 50 MICROINCH GOLD



Allen Tel Products, Inc.
30 TV5 DRIVE • HENDERSON, NV • 89014

**SHIELDED ADAPTER KIT
(ATDB9FS-8)**