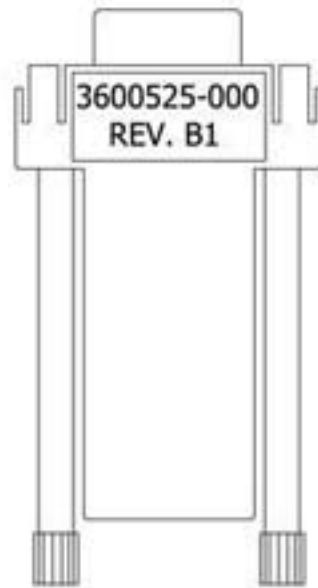
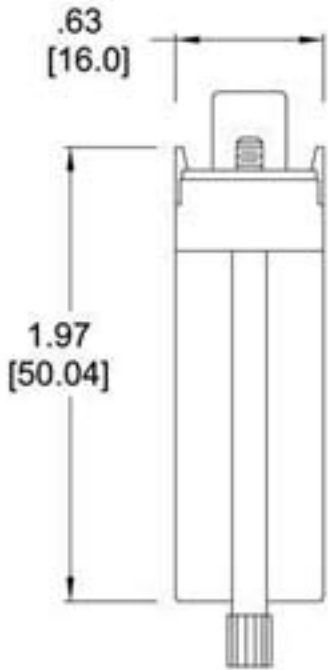
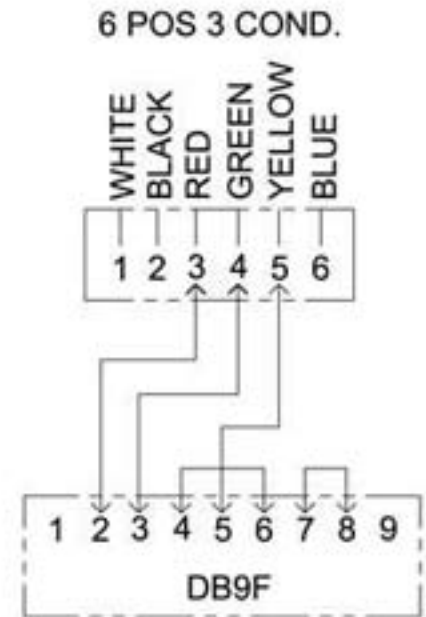
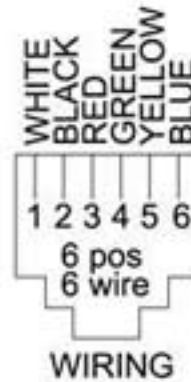
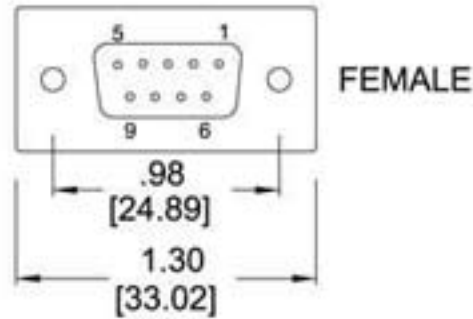


NOTES:

- 1. MODULAR JACK CONTACTS 30 MICROINCHES OF GOLD.
- 2. DB25 CONTACTS 3 MICROINCHES OF GOLD.
- 3. PLASTIC MATERIAL - ABS UL94V-O.
- 4. INCH [mm] DIM'S (REF)



Allen Tel Products, Inc.

30 TV5 DRIVE • HENDERSON, NV • 89014

3600525-000 ADAPTER
6P3C JACK TO FEMALE DB9