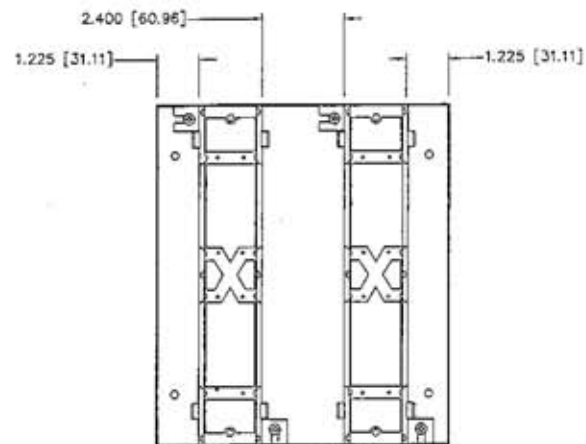
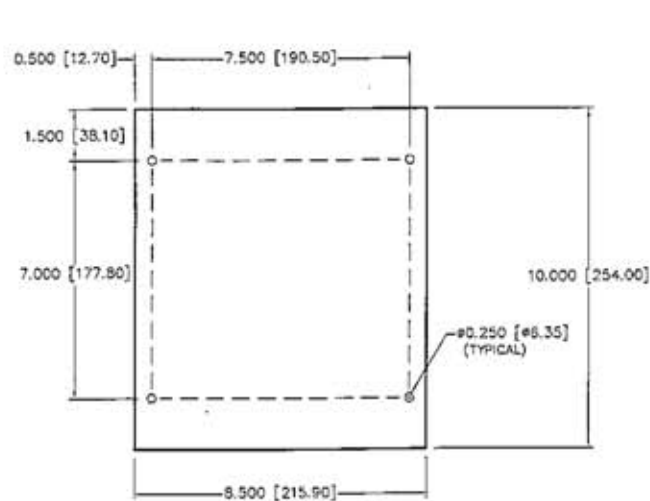



REVISIONS			
REV	DESCRIPTION	DATE	APPROVED



NOTE:
DIMENSIONS ARE IN INCHES [mm]

UNLESS OTHERWISE SPECIFIED DIMENSIONS ARE IN INCHES: FRACTIONS DECIMALS ANGLES ± 1/32 ± .015 ± 9 30'		CONTRACT NO. CTRL		 Allen Tel Products, Inc. 30 TVS DRIVE • HENDERSON, NV • 89014	
MATERIAL 0.500" PRESSBOARD	APPROVALS DRAWN JON	DATE 06-09-2011	GB183C1 BACKBOARD		
FINISH PAINT	CHECKED ANGEL	DATE 06-09-2011	SIZE B	FSM NO. 11136	ENG NO. GB183C1
DO NOT SCALE DRAWING	ISSUED <i>[Signature]</i>	DATE 06-09-2011	SCALE NONE	REV --	SHEET 1 OF 1 REV --