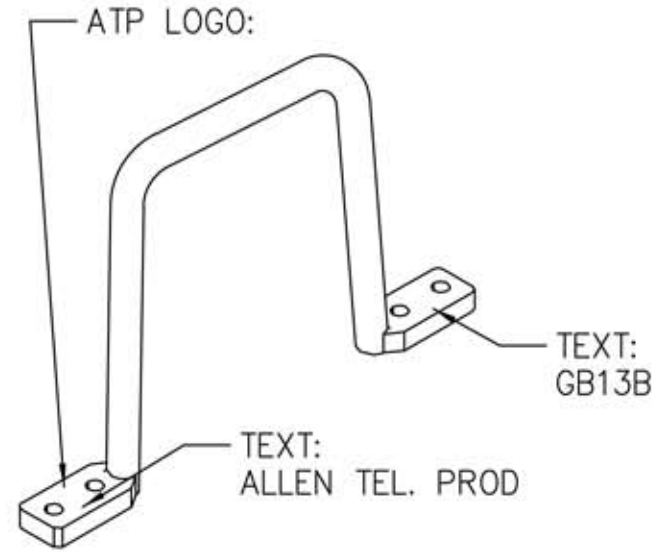
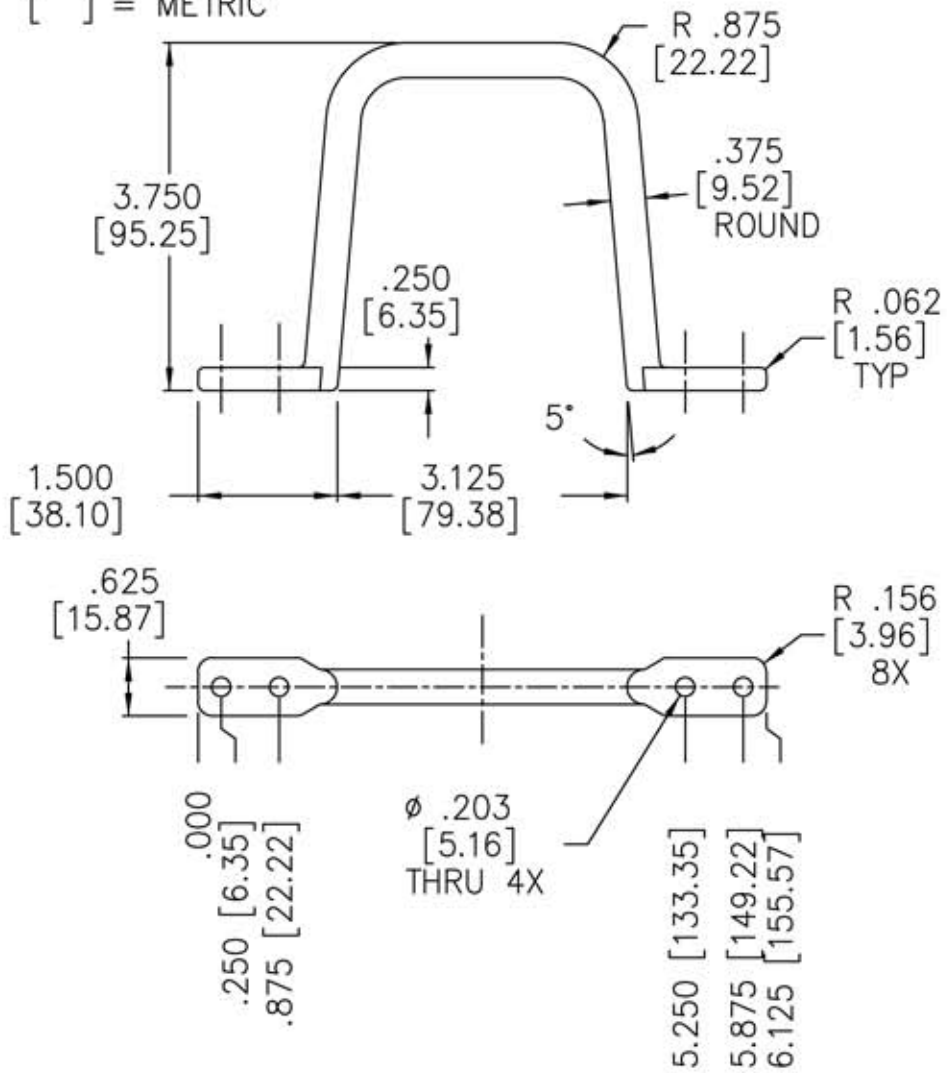


[ ] = METRIC



.015 [0.38] RAISED IDENTIFICATION

- NOTES:
1. MAT'L: ALUMINUM (INJECTION MOLD)
  2. FINISH: TRIM & DEBURR
  3. TOL ±.015
  4. [ ] = METRIC



Allen Tel Products, Inc.  
30 TV5 DRIVE, HENDERSON, NV 89014

GB13B  
DISTRIBUTING RING