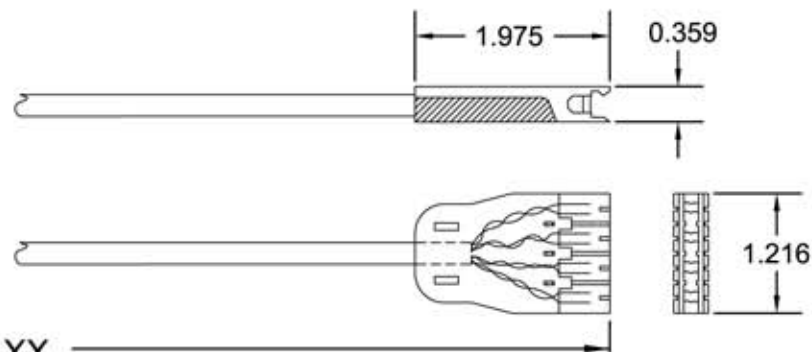


T568B WIRING

WIRE TABLE (TWISTED PAIR)		
PIN	PAIR	COLOR
1	2	WHITE/ORANGE
2		ORANGE
3	3	WHITE/GREEN
6		GREEN
4	1	BLUE
5		WHITE/BLUE
7	4	WHITE/BROWN
8		BROWN



CABLE SPECIFICATION

ITEM		SPEC.
CENTER CONDUCTOR	MATERIAL	BARE COPPER WIRE
	CONSTRUCTION	mm/NO. 0.20mm/ 7C
	O.D.	mm 0.20mm
INSIDE INSULATION	MATERIAL	PE
	O.D.	mm 1.0 ±0.1*8F
	COLOR	REF.
PVC JACKET	MATERIAL	PVC
	O.D.	mm 5.4 ±15
	COLOR	REF.

CHANNEL COMPARISON	CAT5EV
INSERT LOSS	22.8db
PS-NEAR END CROSS TALK(NEXT)	30.5db
POWER SUM ACR	7.7db
MAXIMUM FREQUENCY	155MHz
INDEPENDENTLY TESTED	YES
POSITIVE PS-ACR (155MHz)	YES

GB110PC45-XX

XX - LENGTH IN FEET
03
05
07
10
15

NOTES:

- 110 TO RJ45 PLUG CONFIGURATION
- WIRED FOR T568B WIRING SCHEME



Allen Tel Products, Inc.

30 TV5 DRIVE • HENDERSON, NV • 89014

GB110PC45-XX

CAT5e 110 PATCH CORDS AND PLUG ASSEMBLY

