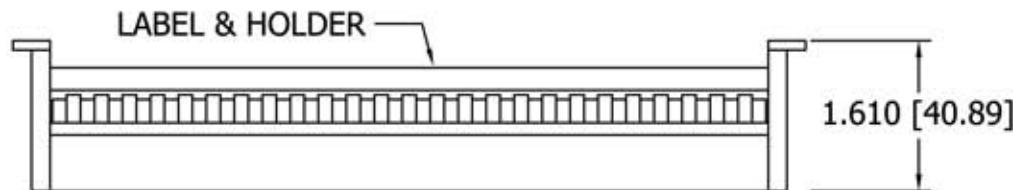
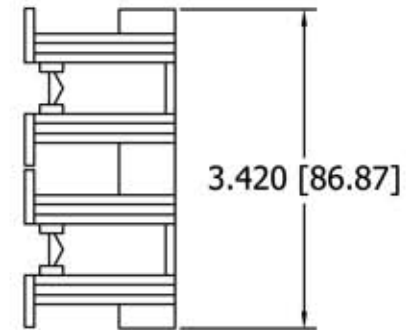
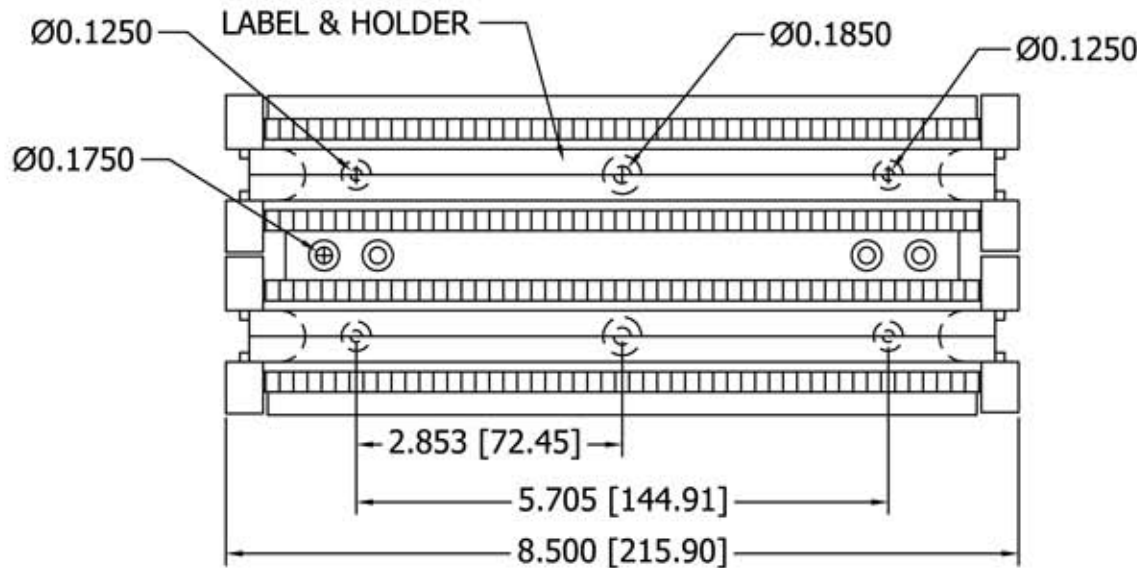


LABEL & HOLDER DETAIL



NOTES:

1. MATERIAL 94VO
2. LABELING INCLUDED
3. BLOCK ONLY -
GB110 CONNECTORS
ARE ORDERED SEPARATELY
4. INCH [mm] DIM'S ARE REF



ALLEN TEL PRODUCTS, INC.

30 TV5 DRIVE • HENDERSON, NV • 89014

GB110BA6-96

96 PAIR BLOCK W/O LEGS