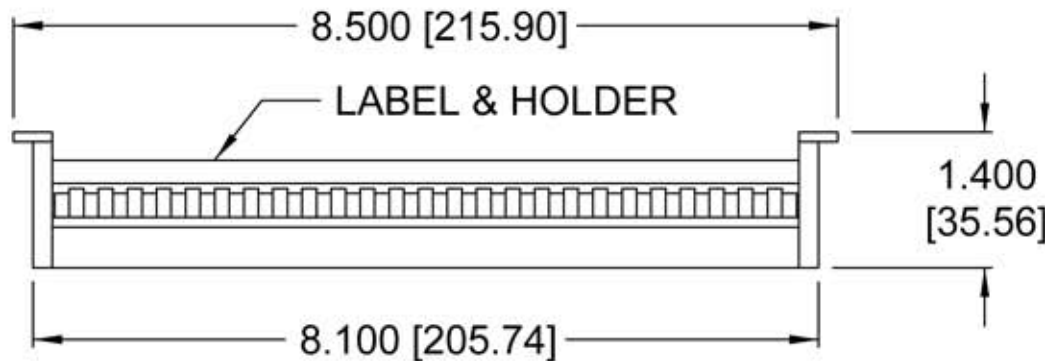
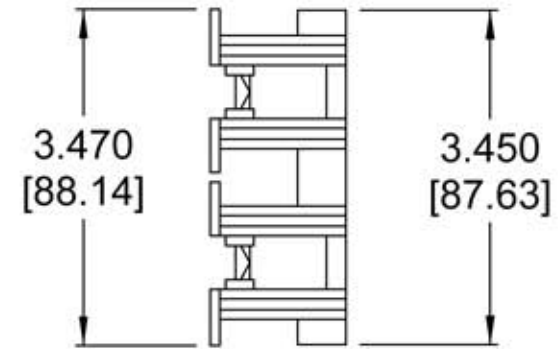
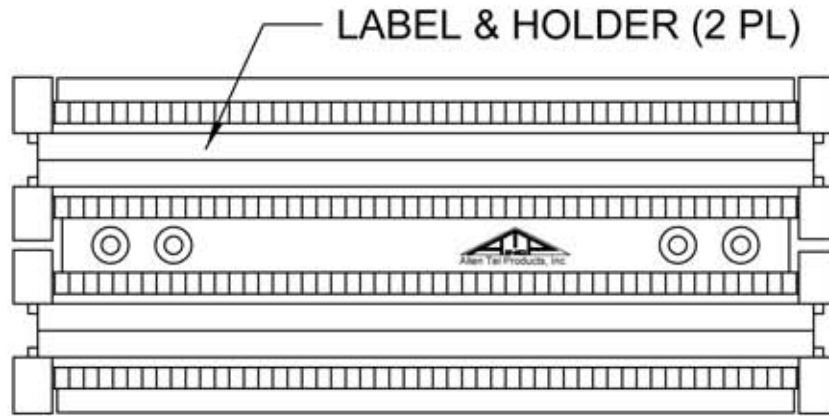


LABEL & HOLDER DETAIL



NOTES

1. MATERIAL 94VO.
2. LABELING INCLUDED.
3. BLOCK ONLY - GB110 CONNECTORS ARE ORDERED SEPARATELY.
4. INCH [mm] DIM'S ARE REF.



Allen Tel Products, Inc.

30 TV5 DRIVE • HENDERSON, NV • 89014

**GB110B-100 - LOW PROFILE
100 PAIR BLOCK**