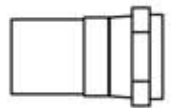
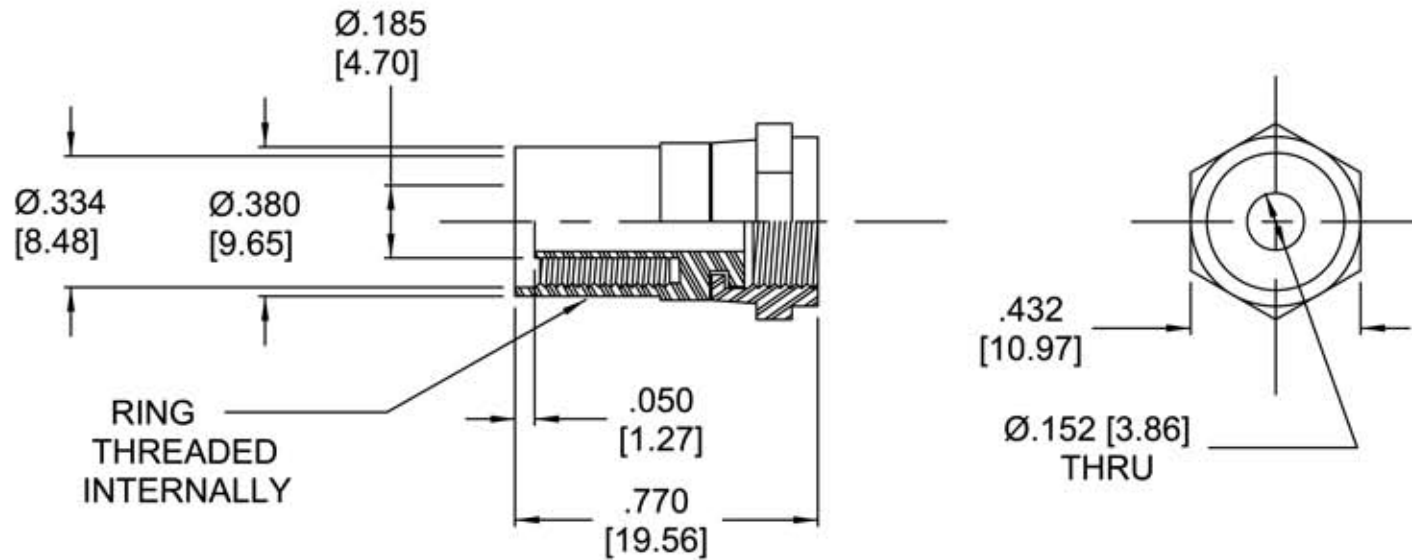


NOTES:

- 1. BRASS AND ZINC BODY, NICKEL PLATED
- 2. ALL DIMENSIONS ARE REFERENCE



FULL SIZE



Allen Tel Products, Inc.
30 TV5 DRIVE • HENDERSON, NV • 89014

CT749 (F59-AL)
(F-803B) FEMALE RG-59 PLENUM