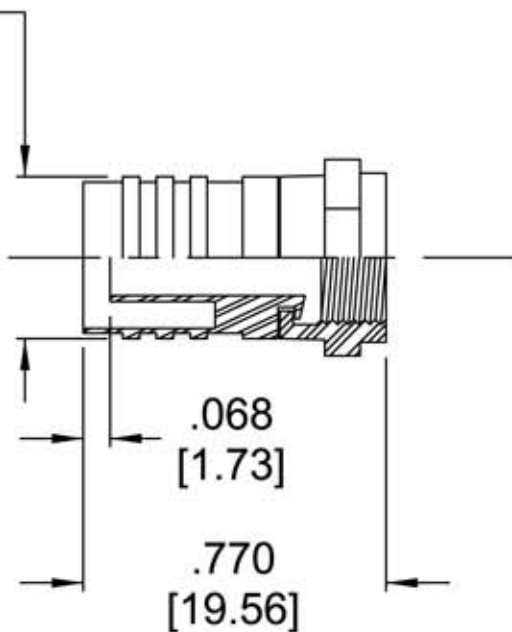


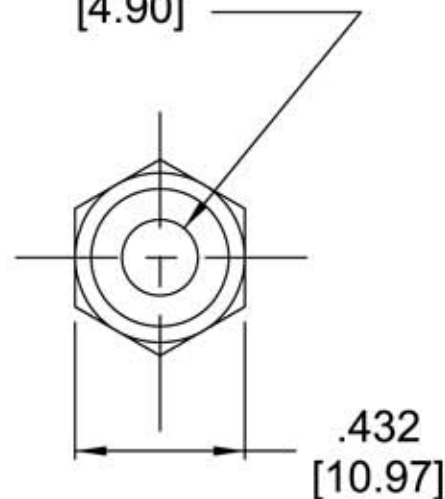
**NOTES:**

- 1. BRASS AND ZINC BODY, NICKEL PLATED
- 2. ALL DIMENSIONS ARE REFERENCE

Ø .412 [10.46] MAX  
Ø .390 [9.91] MIN  
STEPS



Ø .193 THRU  
[4.90]



**Allen Tel Products, Inc.**

30 TV5 DRIVE • HENDERSON, NV • 89014

**CT734  
FOR RG-6 QUAD SHIELD**