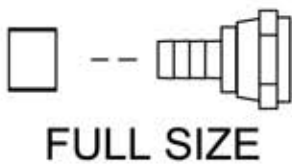
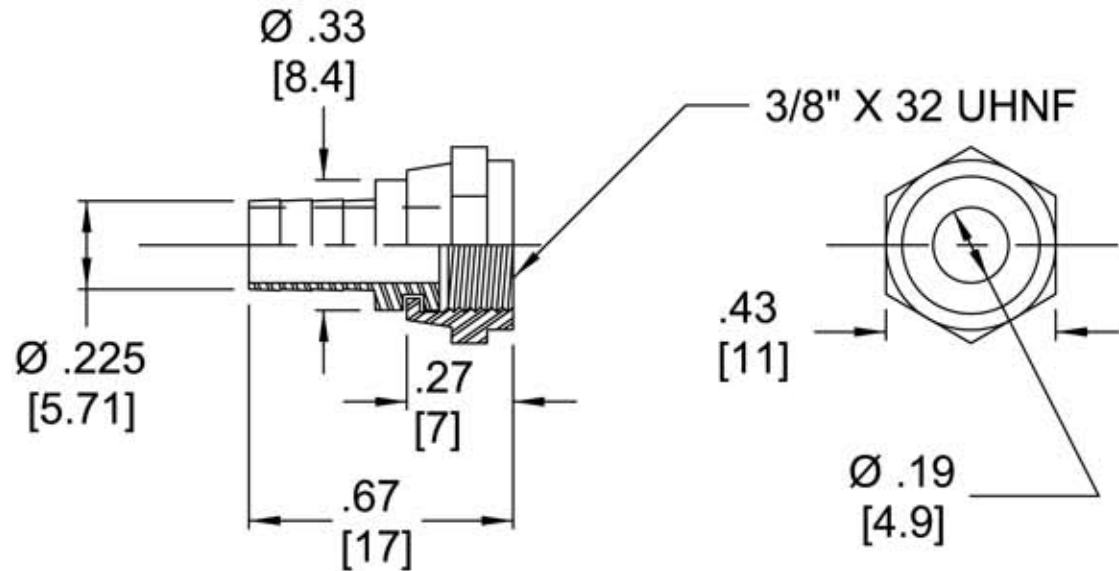
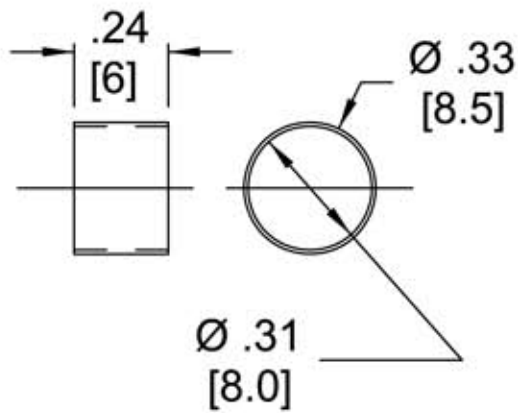


NOTES:

- 1. BRASS AND ZINC BODY, NICKEL PLATED
- 2. ALL DIMENSIONS ARE REFERENCE



Allen Tel Products, Inc.
30 TV5 DRIVE • HENDERSON, NV • 89014

CT715
(F-56) FOR RG-6 PVC CABLE