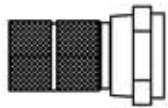
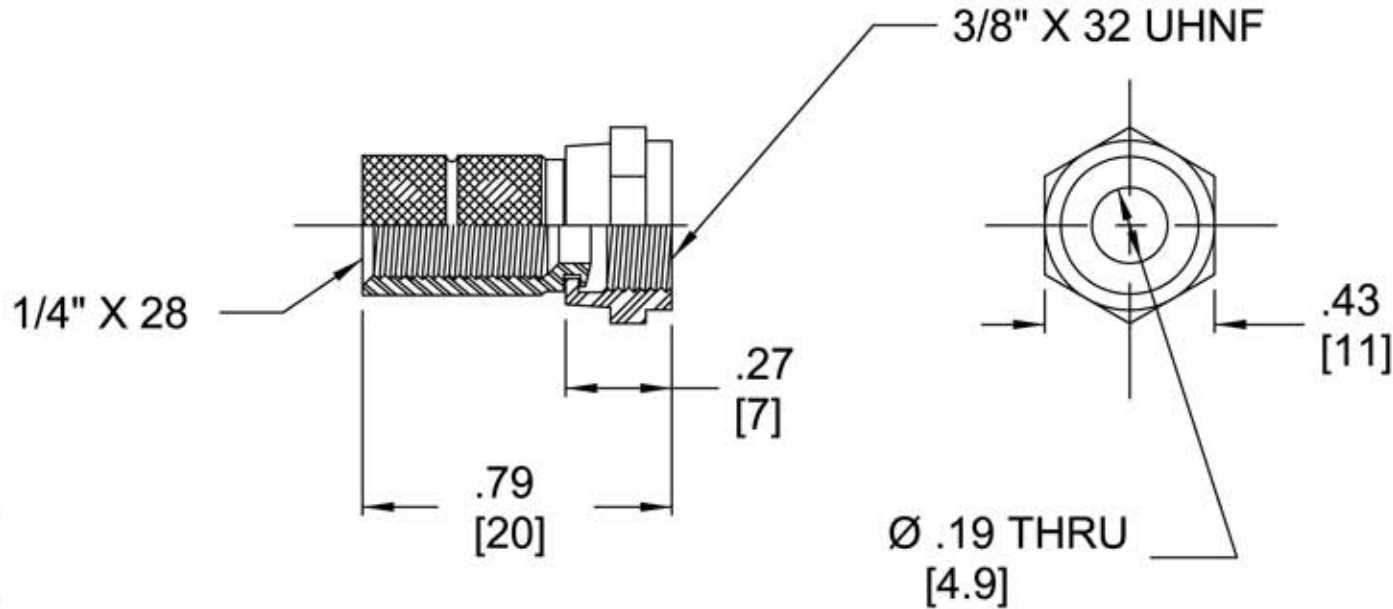


NOTES:

- 1. [] = METRIC
- 2. ALL DIM'S ARE REF
- 3. BRASS AND ZINC BODY, NICKEL PLATED



FULL SIZE



ALLEN TEL PRODUCTS, INC.

30 TV5 DRIVE • HENDERSON, NV • 89014

CT-712 (F-59TW) TWIST ON,
NO CRIMP FOR RG-59 PVC CABLE