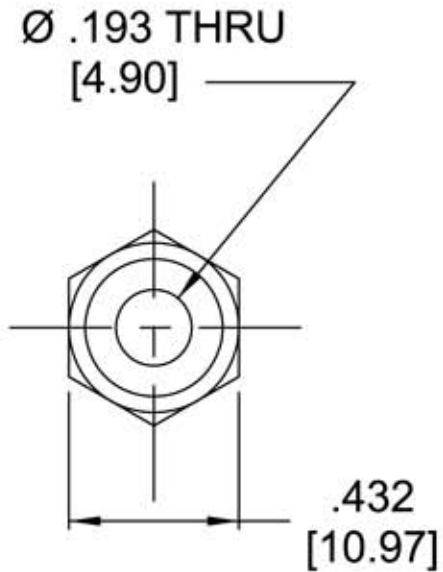
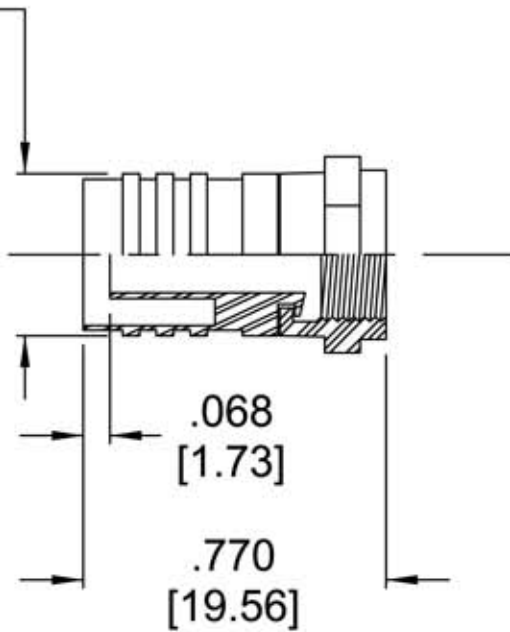


NOTE:

1. BRASS AND ZINC BODY, NICKEL PLATED

Ø .412 [10.46] MAX
Ø .390 [9.91] MIN
STEPS



Allen Tel Products, Inc.
30 TV5 DRIVE • HENDERSON, NV • 89014

CT-734
FOR RG-6 QUAD SHIELD